

COLORED PANEL REPLACEMENT

KRT Rangetops

FOR SERVICE PERSONNEL ONLY

IMPORTANT - READ ALL INSTRUCTIONS BEFORE YOU BEGIN

THE INSTRUCTIONS HEREIN MUST ONLY BE PERFORMED BY A QUALIFIED SERVICE TECHNICIAN. THE APPLIANCE MUST BE COMPLETELY COOL BEFORE ATTEMPTING INSTALLATION.

Some parts inside your appliance have sharp edges. Care must be taken when handling the various components to avoid personal injury. Wear gloves when handling.

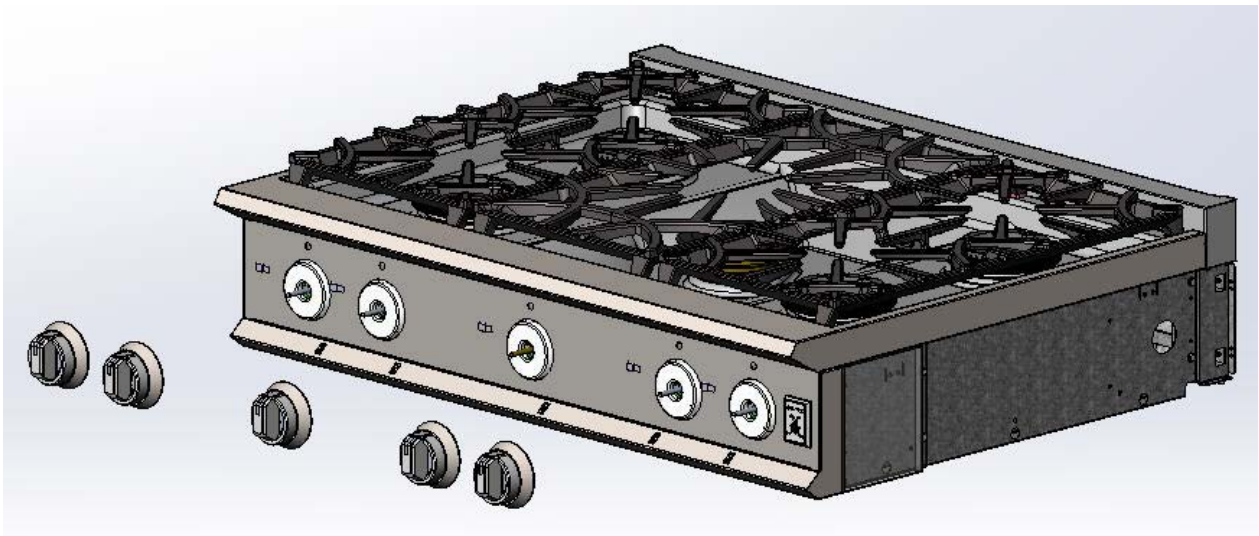
TOOLS REQUIRED:

- Work gloves
- Safety glasses
- Flat-blade screwdriver
- Plastic or non-marring pry tool

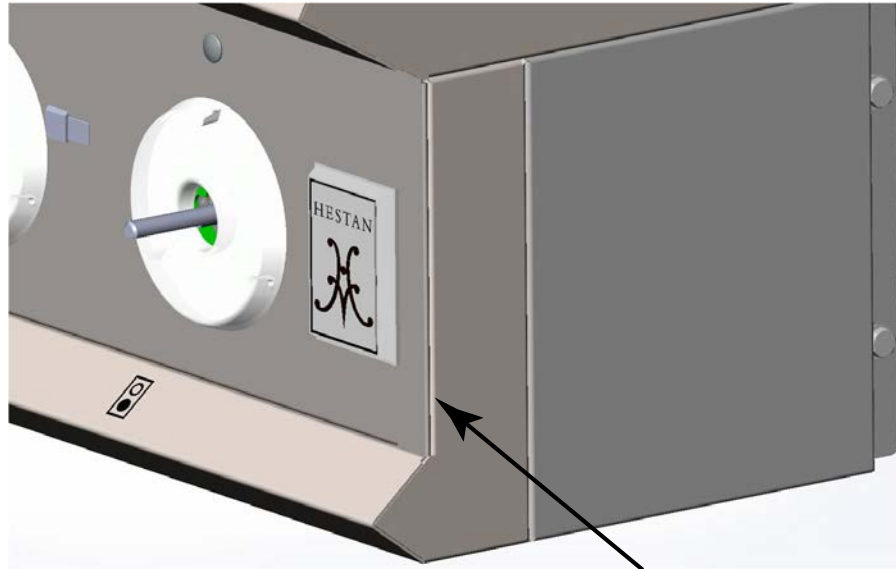
⚠ WARNING Electrical Parts & Components – disconnect all power supplies before servicing.

READ THIS MANUAL CAREFULLY AND COMPLETELY BEFORE USING YOUR RANGE TO REDUCE THE RISK OF FIRE, BURN HAZARD, OR OTHER INJURY. KEEP THIS MANUAL FOR FUTURE REFERENCE.

1. Remove the knobs as shown below.



2. Insert a plastic or other non-marring tool to pry into the seam between the control panel and the body in the approximate location shown. Apply light pressure to release the bottom edge of the control panel from the ball retaining studs hidden inside. Repeat for other side. Swing out the bottom edge to remove the panel, and set aside.



INSERT TOOL HERE

3. Installation is essentially the reverse process. Insert the new panel by hooking the upper edge under the bullnose and swinging the panel into position (see cutaway view).

Press on the bottom edge of the panel to make it snap onto the ball studs inside.

Return all the knobs.

