



Warming Drawer  
w/ Overlay Door  
KWD30-OV  
Parts List

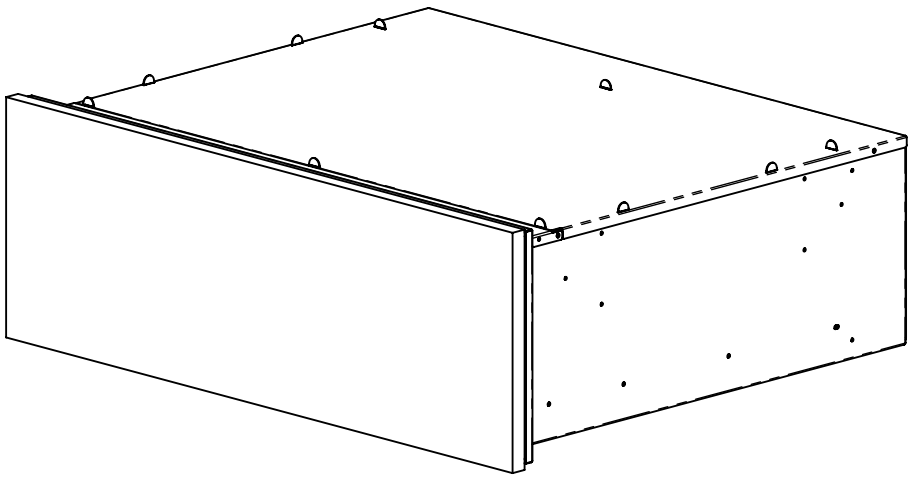
Hestan Commercial Corporation  
3375 E. La Palma Ave.  
Anaheim, CA 92806  
(888) 905-7463

RETAIN THIS FOR FUTURE REFERENCE

İ İ I H G F

Ö Ö Ö Ö Ö Ö Ö Ö

Ö Ö Ö Ö Ö Ö Ö Ö



?K 8' \$!CJ'G<CK B

 HESTAN

DFCDF.9H5FM  
 PUAJCEVAJZAPQAUOMTCEVTCB'AOAUOUUOMCOO&  
 UVUJOC&ABUOUXGESAVYVOTBUJAUUBUTQVCO&A  
 CB'YAUUTBYQPUIWAPQAYUQVQAUOUT&U&PAJGA  
 P\*\*&AQI ( ( & & & & ) | | ) & ) BVP&AUOMTCEVAJUA&BY  
 OUUBUA.P&SSCOAVWUP&ONWUPAYUQVQAUOUVUVE

00000@v@P  
**G9FJ≡9žK5FA&B; '8F5K9F'**  
**fP'K 8' \$!CJŁ**

00000@v@P  
**?K 8' \$!CJ!G9FJ≡9**

00000@v@P  
**5**  
 UPOOV@UE

İ İ I H G F



# WARMING DRAWER PARTS LIST

KWD30 / KWD30-XX / KWD30-OV

Aug. 28, 2018

BALLOON #	HESTAN P/N	DESCRIPTION	NOTES
400	025386	DRAWER BOTTOM	
77	025387	LEFT/RIGHT DRAWER SLIDE	
405	025388	DRAWER HEATING SHIELD	
406	025389	BADGE, THERMOSTAT, SERIGRAPH HESTAN	
439	025390	COMMUTATOR SUPPORT BRACKET	
92	025391	COMMUTATOR, 4F VENT.BIF.ANG.L23 4623866561	
408	025392	THERMOSTAT, 1 BULB, T103°C	
17	025393	LAMP HOLDER WITH BULB, 120VAC, 320mm	
102	025394	INDICATOR LAMP, NEON	
411	025395	LIGHT CAP, CLEAR SATIN	
19	025396	TERMINAL BLOCK, 3P PA84E CASS.H270 30"	
CB01	025397	CABLE, 18AWG-3C+SP.UL L2200	
85	023693	KNOB, WARMING DRAWER, UPRIGHT CONV. OVEN	
412	025399	DRAWER FRONT FRAME	
413	025400	DRAWER TOP FRONT PROFILE	
440	025401	PANEL, REAR, FAN HOUSING	
53	025402	RING HEATING ELEMENT, 1000W 120V	
325	025403	FLANGE FOR DOOR MICROSWITCH	
324	025404	OVEN DOOR MICROSWITCH	
441	025405	FIBERGLASS INSULATION, REAR	
14	025406	RADIAL FAN, 120V 60Hz UL H18	
16	025407	SAFETY THERMOSTAT, PRESET 110°C 16A 250V	
409	025408	SPRING, THERMOSTAT BULB	
442	025409	PANEL, FRONT, FAN HOUSING	
252	025410	CABLE CLIP	
52	025411	FAN COVER, H270 30"	
414	025412	TOP SHIELD DRAWER	
416	025413	DRAWER BASE	
443	025414	FIBERGLASS INSULATION, BASE	
444	025415	INTERNAL BULKHEAD	
445	025416	SUPPORT BRACKET, BUMPERS	
430	025417	RUBBER BUMPERS	
446	025418	DRAWER, SIDERAIL	
447	025419	DRAWER, SIDE PANEL	
423	025420	LINER, DRAWER FRONT FACE	
417	025421	DRAWER BASE CLOSURE	
420	025422	DRAWER FRONT FACE	SPECIFY COLOR
80	020670	HANDLE, WALL OVEN/WARMING DRAWER	
137	000463	ENDCAP, HANDLE, LH, SM	
138	000704	ENDCAP, HANDLE, RH, SM	



DFCDF-9H5FM  
 PUAJOUVAUAPQAUOWTCEVITCEAOOUUOUOUCOBA  
 UNUJUCOBAUJOUUOXESAYUOTBAUJUCBITOUCOBA  
 CEYAUUTBYQPUIWAPQAYUOVCEAUOTQUBBAJQA  
 P\*\*AUJ(|)A\*\*AUJ(|)A\*\*BVPQAUOWTCEVAUJABY  
 OUBUAPBESSCOUOVWUPCOAWUPAYUOVCEAUOUVUVE

0000000000

G9FJ=9ZK5FA-B; '8F5K9F'  
 fPK8' \$!CJL

0000000000

?K8' \$!CJ!G9FJ=9

0000000000

5

UP000/BUÉ  
 GÁUØÁG