

### CONVECTION MICROWAVE



*Model Shown KMWC24*

#### STANDARD FEATURES

- Convenient quick-start controls for popular options, such as reheating, popping popcorn and defrost
- Convection technology allows for perfect roasting, baking and browning of foods
- Extra Minute allows for an extra minute of cooking time to be easily added
- 11 present cooking options: Reheat, Popcorn, Extra Minute, Auto Broil, Auto Roast, Auto Bake, Slow Cook, Preheat, Convection, Broil, Low & High Mix
- Precise cook sensor technology automatically adjusts cooking time
- Child lock safety feature locks the control panel to prevent unwanted use
- Ceramic turntable allows for even cooking and reheating
- Interior light illuminates stainless steel interior of microwave
- Internal racks for multi-level heating

#### OPTIONS & ACCESSORIES

- Available in countertop unit or built-in using optional trim kit accessory AKMWTK27(27") AKMWCK30 (30")

### DRAWER MICROWAVE



*Model Shown KMWR30*

#### STANDARD FEATURES

- Sleek, low-profile drawer design allows convenience at an accessible height and saves countertop space
- Convenient automatic drawer system opens smoothly and features a hands-free close, while the gliding action and solid construction prevents spillover during opening and closing
- 11 variable power levels and 12 sensor cook, reheat and popcorn settings provide endless cooking options
- Six defrost auto settings and two reheat auto settings provide convenience at the touch of a button
- Large capacity drawer can hold a 4 qt. casserole dish or a 20 oz. beverage
- Keep food warm up to 30 minutes with the warm feature
- Beverage option reheats coffee and tea to the perfect temperature
- Melt/Softens/Warm settings automatically select the correct time and power for each function
- Child lock safety feature locks control panel to prevent unwanted use
- Interior light illuminates interior of microwave
- Install below an oven, or build into your island or cabinetry
- Non-shift rubber mat keeps items in place when opening and closing drawer

Convection Oven with Trim Kit



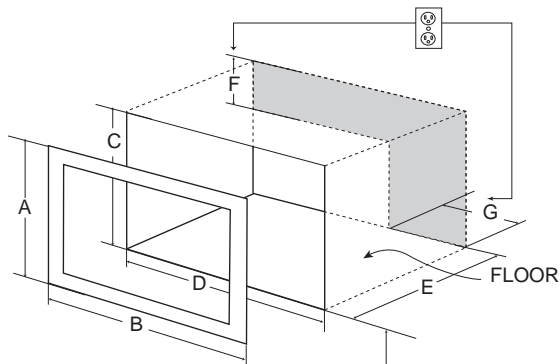
Drawer Microwave undercounter install



Drawer Microwave stack configuration



## CONVECTION MICROWAVE



NOTE: Floor of opening should be 90° to front cabinet frame.

34-1/2" [87.6 cm] MIN.  
FLOOR

ITEM	DIMENSION
A	20" [50.8 cm]
B	29 7/8" [75.9 cm]
C	18 1/2" [47 cm]
D	25 1/4" [64.1 cm]
E	Min. 20 1/8" [51.1 cm]
F	5" [12.7 cm]
G	10" [25.4 cm]

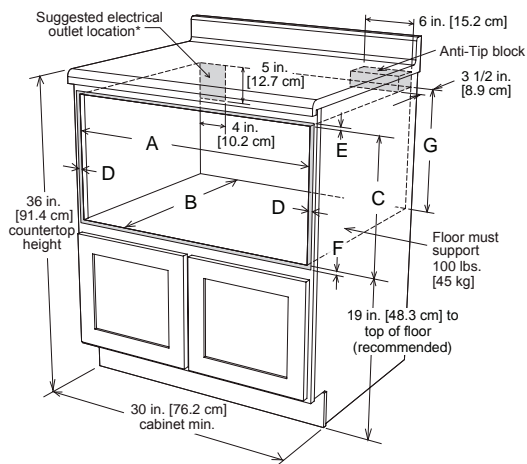
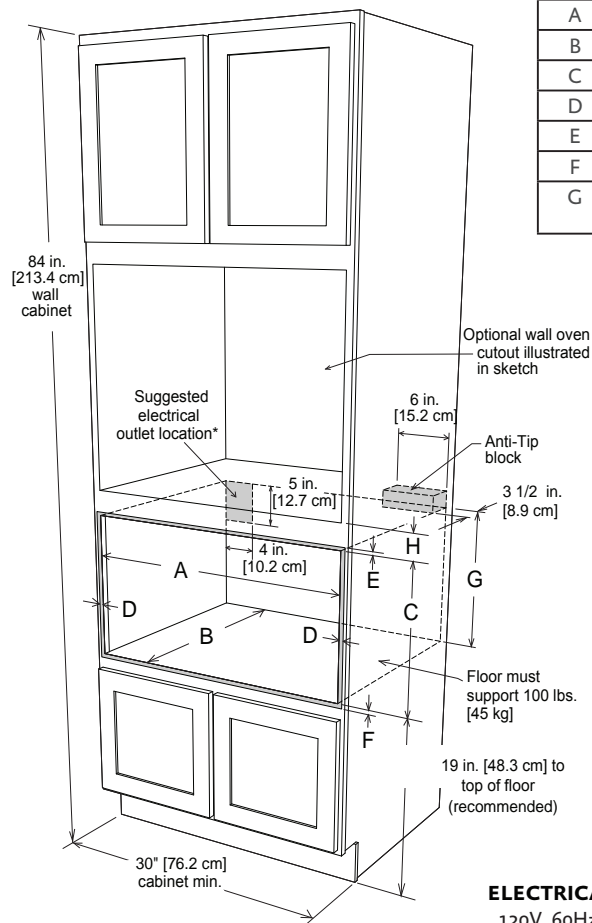
ADDITIONAL NOTE:  
When installing above a Hestan wall oven KSO30, a spacer kit (AKMWSK) may be installed in conjunction with the trim kit. This kit is not required but allows both appliances to be on plane with each other.

**ELECTRICAL REQUIREMENTS:**  
120V, 60Hz, 15 amps



## DRAWER MICROWAVE

KEY	DESCRIPTION	DIMENSION
A	Cutout width	28 7/16 in. [72.2 cm]
B	Cutout depth	23 1/2 in. [59.7 cm]
C	Height of opening	14 13/16 in. [37.6 cm]
D	Sides overlap	3/4 in. [1.9 cm]
E	Top edge overlap	3/16 in. [0.5 cm]
F	Bottom edge overlap	7/16 in. [1.1 cm]
G	Bottom of opening to bottom of anti-tip block	14 13/16 in. [37.6 cm]



**ELECTRICAL REQUIREMENTS:**  
120V, 60Hz, 15 amps



Models	Description	Product Dims			Capacity	Wattage	Circuit Breaker Required	Approx WT (lbs)
		L (in.)	H (in.)	D (in.)				
KMWC24	24" Convection Microwave	24-5/8"	14-7/8"	19"	1.5 cu.ft.	900W	15Amp	60
KMWR30	30" Drawer Microwave	30"	14-19/32"	21 7/8" without door	1.2 cu.ft.	950W	15Amp	74

Hestan Indoor products are approved for indoor use only. Hestan Commercial Corporation reserves the right to change materials and specifications without notice.