

STANDARD FEATURES



REFRIGERATOR / FREEZER COLUMNS

- EvenFlow Air Circulating Technology™ consists of independent ventilation for each compartment, providing even distribution of cold air flow and allows for uniform and precise temperature control ensuring better food preservation.
- EvenFlow Air Circulating Technology™ moves air through the compartment around the sides rather than back to front, creating an air curtain when the door is opened, keeping cold air from escaping and saving energy.
- Insulated dual variable speed compressors provide quiet operation, precise temperature control, and minimal vibration.
- Concealed side-mounted evaporator design allows for a deeper interior than most cabinet depth, built-in refrigerators.
- Full range of models and configurations (24", 30" and 36"). Can easily be combined and configured with other Hestan Freezer or Wine models to fit your kitchen needs.

EvenFlow Air Circulating Technology™



Adjustable Shelf System



EverCrisp™ Drawers



- The FreshSelect™ feature allows you to transform your bottom freezer into three independent electronically controlled cooling zones for maximum flexibility.:

- ◊ Classic refrigerator zone: From 34°F to 46°F, the recommended pre-set temperature is 42°F.
- ◊ Extend fresh refrigerator zone preserves fresh food longer. From 28°F to 36°F, the recommended pre-set temperature is 32°F.
- ◊ Freezer zone: From -11°F to +9°F, the recommended pre-set temperature is -1°F.

- Bead-blasted stainless steel refrigerator EverCrisp™ drawers are antimicrobial and prevent the growth of microorganisms and the spreading of germs.
- Bead-blasted, anti-microbial stainless steel storage drawers and bins have soft-close mechanisms allowing for silent and easy access to items.
- Aluminum adjustable shelf design (patent pending) provides practically limitless shelf positions with quick and easy adjustment without having to remove items. Once desired location is achieved you can lock the shelf into position.
- Heavy duty and elegant stainless steel interior liner.
- Multi-LED light array (top and side interior) provides brilliant illumination to the entire interior.
- Robust and unique hinge system for smooth door opening and self-closing. Hinge opens within itself, so side cabinetry is not compromised.
- Marquise™ accented door handle with commercial grade end caps.
- Max Cool Fresh Zone setting lowers the fridge / freezer compartment providing more rapid cooling of larger amounts of contents placed inside for a designated period of time.
- Holiday Mode can be set for up to 90 days for considerable energy savings.
- Adjust ice cube size between medium and large and also select the Fast Ice option to increase ice cube quantity.
- Model KRB_36 - Beverage Cooler Mode chills beverages more quickly in the Fresh Zone drawer for up to 45 minutes.
- Marquise™ accented touch menu display is beautiful and easy to use.
- Water filtration with monitoring change reminder feature.



KRCR24

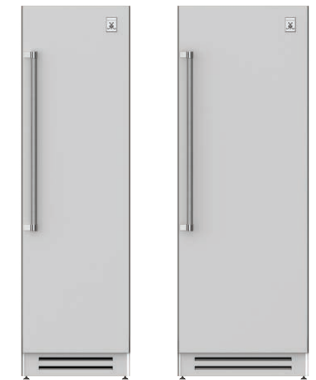
KRCR30

KRBR36

Refrigerator Models as shown

OPTIONS & ACCESSORIES

- Available in Twelve (12) Hestan signature color finishes
- Overlay Available



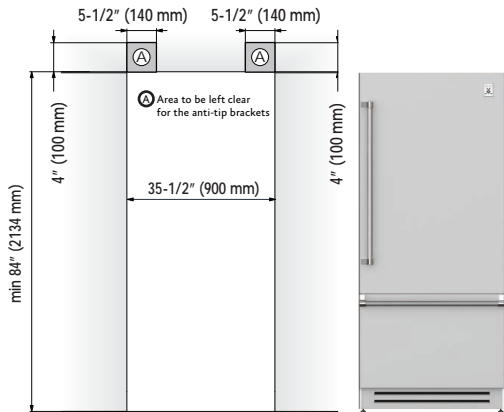
KFCR24

KFCR30

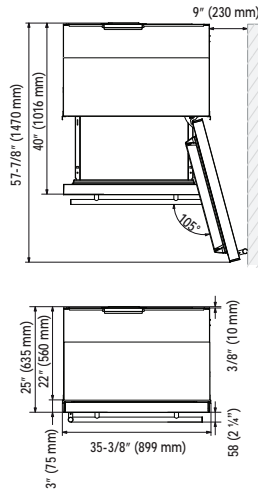
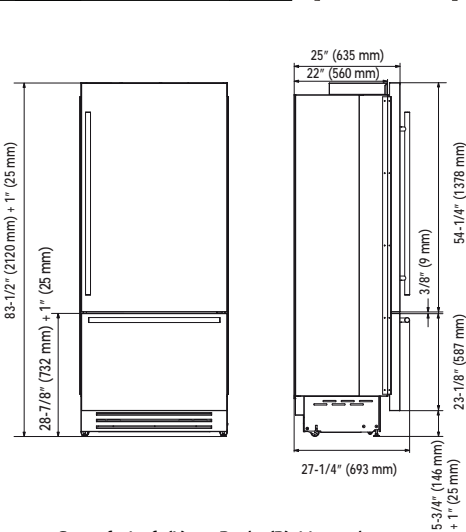
Freezer Models as shown

REFRIGERATOR / FREEZER COLUMNS

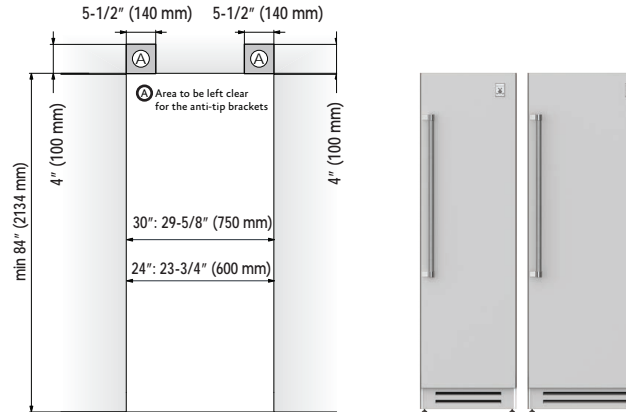
INSTALLATION CUT-OUT FEATURES KRB MODELS



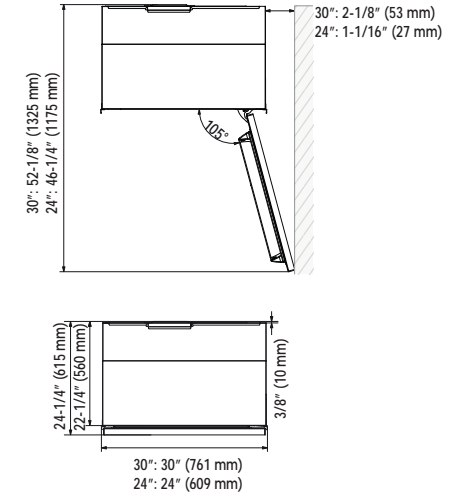
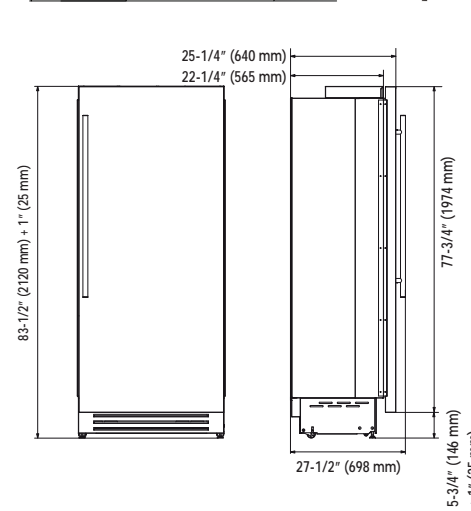
Quick Product Dimension Reference
 Door Opening Angle 105°
 Width 35-5/8" (899 mm)
 Height 83-1/2" (2120 mm) + 1" (25 mm)
 Door Swing Clearance 57-7/8" (1470 mm)



INSTALLATION CUT-OUT FEATURES - KRC MODELS 24" AND 30" COLUMN REFRIGERATORS AND FREEZERS 24" WINE COLUMN AND 24" REFRIGERATOR WITH WINE



Quick Product Dimension Reference
 Door Opening Angle 105°
 Width
 30": 29 1/2" (749 mm)
 24": 23 5/8" (599 mm)
 Height 83-1/2" (2120 mm) + 1" (25 mm)
 Door Swing Clearance
 30": 52 1/8" (1325 mm)
 24": 46 1/4" (1175 mm)



Models	Description	Cutout Dimensions			Approx SHP WT (lbs)
		W (in.)	H (in.)	D (in.)	
KRB_36	36" Bottom Mount Refrigerator Column, Bottom Compressor	35 1/2"	84"	25"	529
KRC_24	24" Refrigerator Column	23 3/4"	84"	25"	364
KRC_30	30" Refrigerator Column	29 5/8"	84"	25"	474
KFC_24	24" Freezer Column	23 3/4"	84"	25"	364
KFC_30	30" Freezer Column	29 5/8"	84"	25"	474

ELECTRICAL REQUIREMENTS:
 110V, 60Hz, 15 amps

Hestan Indoor products are approved for indoor use only. Hestan Commercial Corporation reserves the right to change materials and specifications without notice.