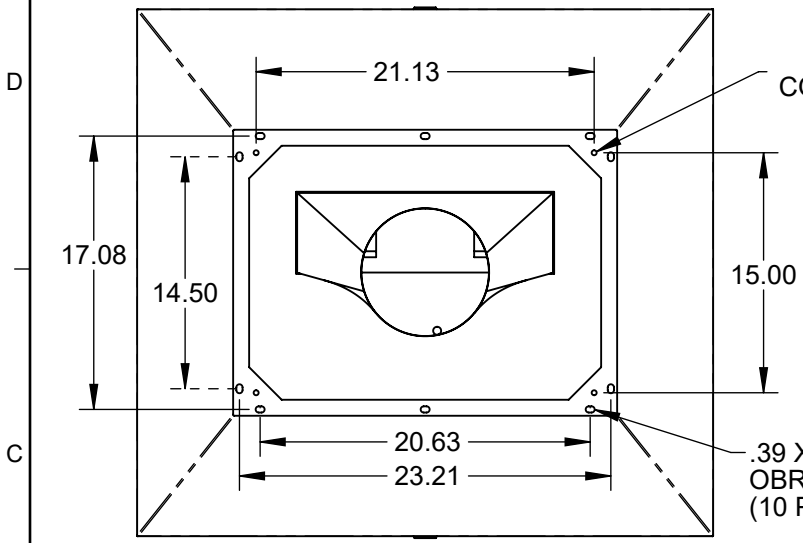


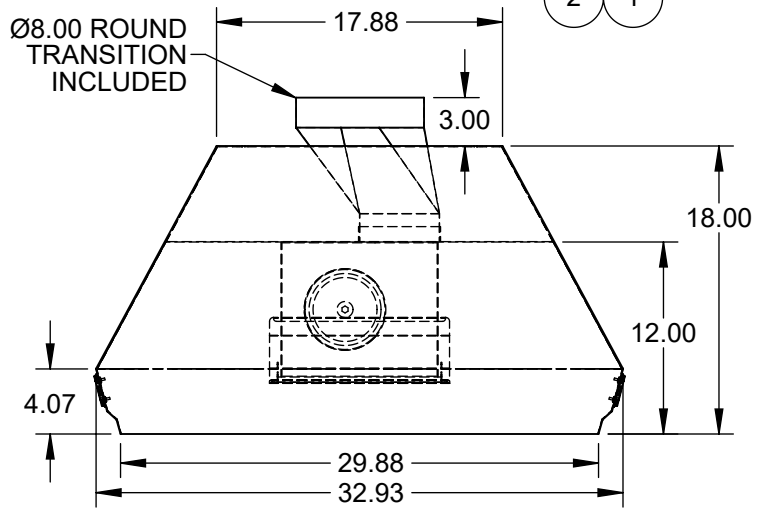
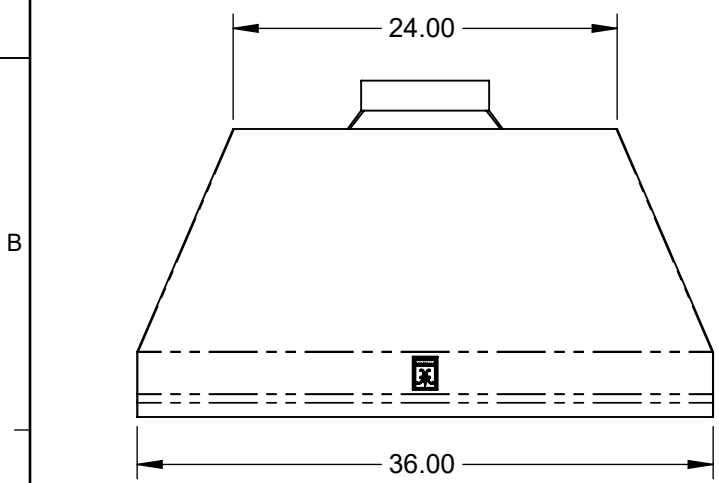
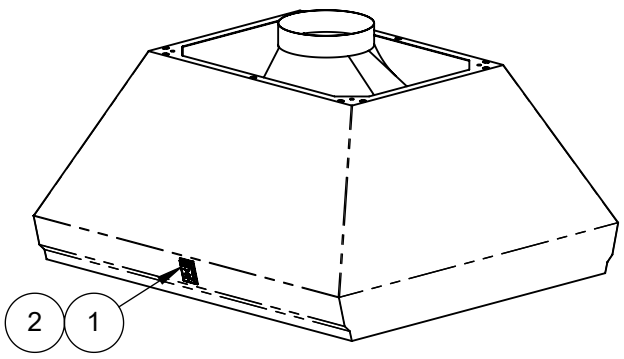
**PACKAGING INFO:**  
 GROSS WEIGHT: 95 LBS.  
 DIMS: 24H x 38W x 34D

ITEM NO.	PART NUMBER	DESCRIPTION	QTY.
1	001842	LOGO, HESTAN, 2.125 x 1.56	2
2	010517	RETAINING RING, EXTERNAL, .125" DIAMETER SHAFT	6
3	031628	MANUAL, INSTALL / USE & CARE, VENT HOOD - ISLAND	1
<b>ITEMS 1-3 SENT TO MANUFACTURER FOR ASSEMBLY TO PRODUCT. PACKAGING NOT SHOWN.</b>			



4X Ø.31  
 (ISLAND DUCT  
 COVER MOUNTING  
 HOLES)

.39 X .56  
 OBROUND  
 (10 PLCS.)



**SPECIFICATIONS:**  
 VOLTAGE: 115V - 60Hz  
 CURRENT: 4.0A  
 RPM: 1550  
 CFM (EQUIV. CFM): 550 (900)  
 NOISE: 6.0 Sones  
 # OF LIGHTS: 4

\*\*\* ALL DIMENSIONS SHOWN FOR REFERENCE ONLY \*\*\*

**PROTOTYPE**

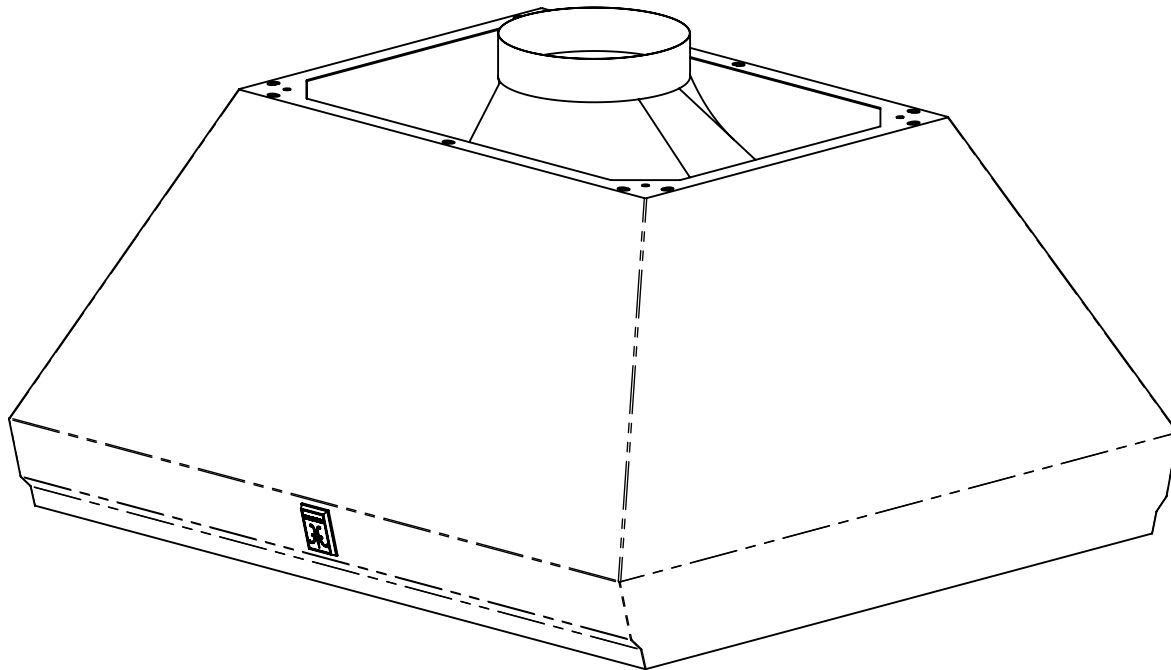
- NOTES:
1. TYPE: Purchased
  2. PREFERRED SUPPLIER: Vent-A-Hood
  3. DESIGN CHANGES TO BE APPROVED BY HCC ENGINEERING DEPARTMENT.
  4. CIRCLED DIMENSIONS DESIGNATE A CRITICAL CHARACTERISTIC.
  5. PART TO BE FREE OF BURRS, SHARP EDGES, ETC. PART TO BE CLEAN AND FREE OF ALL OIL, DIRT, AND OTHER FOREIGN SUBSTANCES.

01	2863	INITIAL RELEASE		jngo	2019-08-06
REVISION	ECN	DESCRIPTION OF CHANGE		DRAWN BY	DATE
UNLESS OTHERWISE SPECIFIED DO NOT SCALE DRAWING INTERPRET DIMENSIONS AND TOLERANCES PER ASME Y14.5M-1994 DIMENSIONS ARE IN INCHES TOLERANCES APPLY AS SHOWN BELOW		THIRD ANGLE PROJECTION	PROPRIETARY NO PART OF THIS DOCUMENT MAY BE REPRODUCED, STORED IN A RETRIEVAL SYSTEM, OR TRANSMITTED IN ANY FORM, WITHOUT THE WRITTEN PERMISSION OF Hestan Commercial Corporation. THIS DOCUMENT OR ANY COPIES SHALL BE RETURNED UPON WRITTEN REQUEST.		
X ±0.1 .XX ±0.06 .XXX ±0.030 ANGLES ±1°		DESCRIPTION	<b>VENTILATION HOOD, ISLAND,                  550 CFM, 36"</b>		
DRAWN BY	DATE	DRAWING NO	REVISION		
hwenzel	2019-07-18	<b>KVI36-XX</b>	<b>01</b>		
CHECKED BY	DATE	SCALE	SIZE	MATERIAL	FINISH
VS	2018-06-14	1:12	A		
APPROVED BY	DATE	SCALE	SIZE	MATERIAL	FINISH
VS	2018-06-14	1:12	A		
					SHEET NO.
					1 OF 2

# PROTOTYPE

## COLOR TABLE

KVI36	VENTILATION HOOD, ISLAND, 550 CFM, 36"
KVI36-BK	VENTILATION HOOD, ISLAND, 550 CFM, 36" - BLACK
KVI36-WH	VENTILATION HOOD, ISLAND, 550 CFM, 36" - WHITE
KVI36-RD	VENTILATION HOOD, ISLAND, 550 CFM, 36" - RED
KVI36-YW	VENTILATION HOOD, ISLAND, 550 CFM, 36" - YELLOW
KVI36-OR	VENTILATION HOOD, ISLAND, 550 CFM, 36" - ORANGE
KVI36-BG	VENTILATION HOOD, ISLAND, 550 CFM, 36" - BURGUNDY
KVI36-PP	VENTILATION HOOD, ISLAND, 550 CFM, 36" - PURPLE
KVI36-BU	VENTILATION HOOD, ISLAND, 550 CFM, 36" - BLUE
KVI36-GR	VENTILATION HOOD, ISLAND, 550 CFM, 36" - GREEN
KVI36-GG	VENTILATION HOOD, ISLAND, 550 CFM, 36" - DARK GRAY
KVI36-TQ	VENTILATION HOOD, ISLAND, 550 CFM, 36" - TURQUOISE



DRAWING NO		<b>KVI36-XX</b>		REVISION		<b>01</b>	
SCALE	1:8	SIZE	<b>A</b>	MATERIAL	FINISH	SHEET NO.	<b>2 OF 2</b>