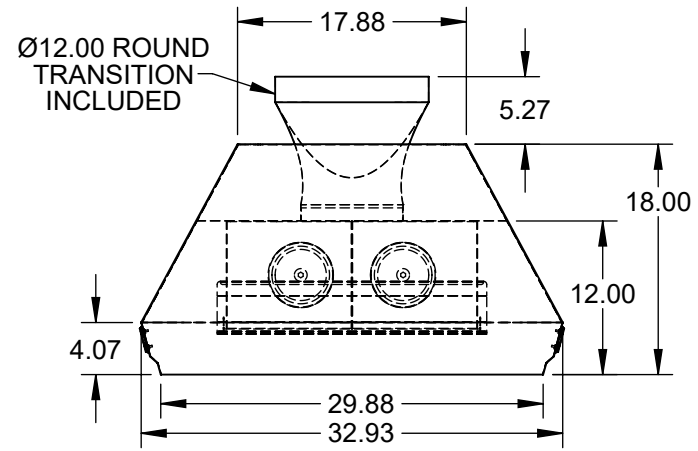
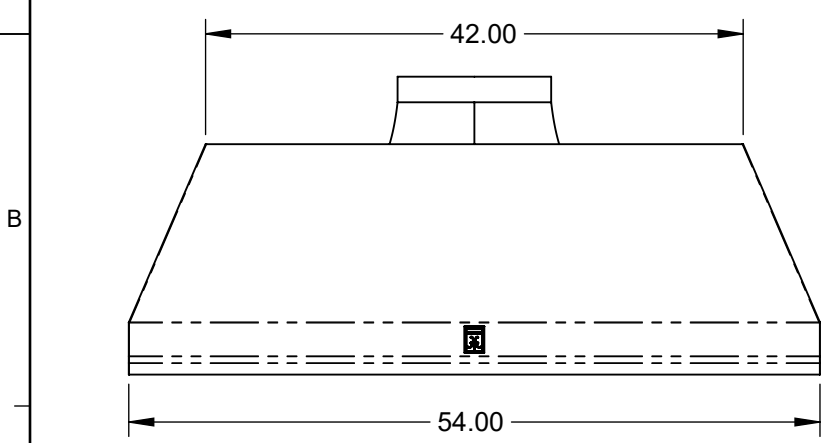
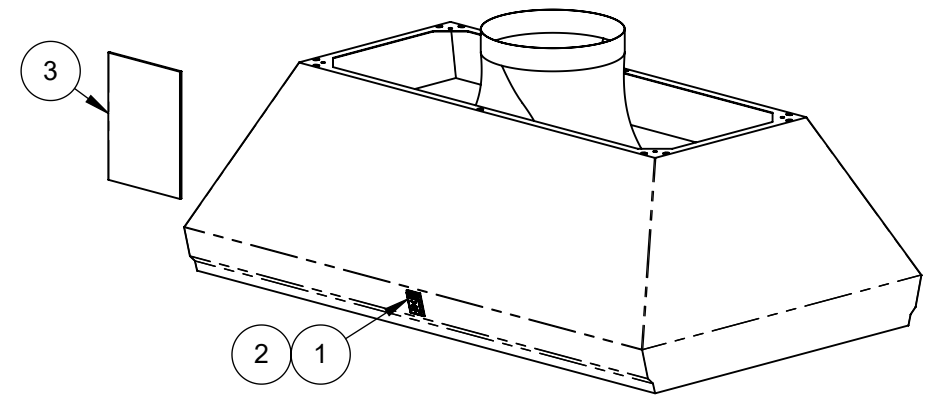
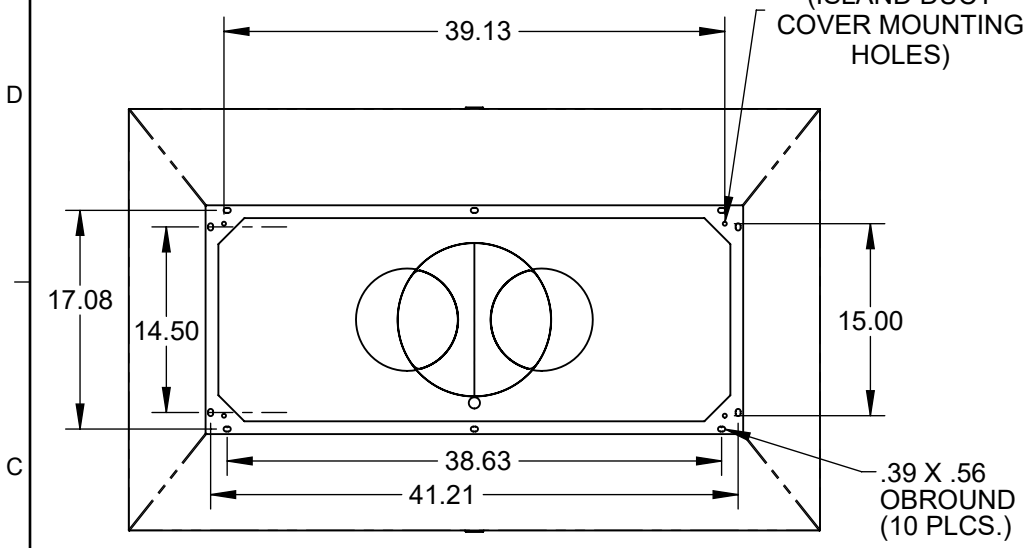


PACKAGING INFO:
 GROSS WEIGHT: 188 LBS.
 DIMS: 24H x 56W x 34D

ITEM NO.	PART NUMBER	DESCRIPTION	QTY.
1	001842	LOGO, HESTAN, 2.125 x 1.56	2
2	010517	RETAINING RING, EXTERNAL, .125" DIAMETER SHAFT	6
3	031628	MANUAL, INSTALL / USE & CARE, VENT HOOD - ISLAND	1
ITEMS 1-3 SENT TO MANUFACTURER FOR ASSEMBLY TO PRODUCT. PACKAGING NOT SHOWN.			



SPECIFICATIONS:
 VOLTAGE: 115V - 60Hz
 CURRENT: 7.5A
 RPM: 1550
 CFM (EQUIV. CFM): 1100 (1800)
 NOISE: 6.4 Sones
 # OF LIGHTS: 6

*** ALL DIMENSIONS SHOWN FOR REFERENCE ONLY ***

- NOTES:**
1. TYPE: Purchased
 2. PREFERRED SUPPLIER: Vent-A-Hood
 3. DESIGN CHANGES TO BE APPROVED BY HCC ENGINEERING DEPARTMENT.
 4. CIRCLED DIMENSIONS DESIGNATE A CRITICAL CHARACTERISTIC.
 5. PART TO BE FREE OF BURRS, SHARP EDGES, ETC. PART TO BE CLEAN AND FREE OF ALL OIL, DIRT, AND OTHER FOREIGN SUBSTANCES.

PROTOTYPE

REVISION	ECN	DESCRIPTION OF CHANGE	INITIAL RELEASE	DRAWN BY	DATE
01	2863		INITIAL RELEASE	jngo	2019-08-06

UNLESS OTHERWISE SPECIFIED DO NOT SCALE DRAWING INTERPRET DIMENSIONS AND TOLERANCES PER ASME Y14.5M-1994 DIMENSIONS ARE IN INCHES TOLERANCES APPLY AS SHOWN BELOW

X	±0.1
.XX	±0.06
.XXX	±0.030
ANGLES	±1°

THIRD ANGLE PROJECTION

PROPRIETARY NO PART OF THIS DOCUMENT MAY BE REPRODUCED, STORED IN A RETRIEVAL SYSTEM, OR TRANSMITTED IN ANY FORM, WITHOUT THE WRITTEN PERMISSION OF Hestan Commercial Corporation. THIS DOCUMENT OR ANY COPIES SHALL BE RETURNED UPON WRITTEN REQUEST.

HESTAN

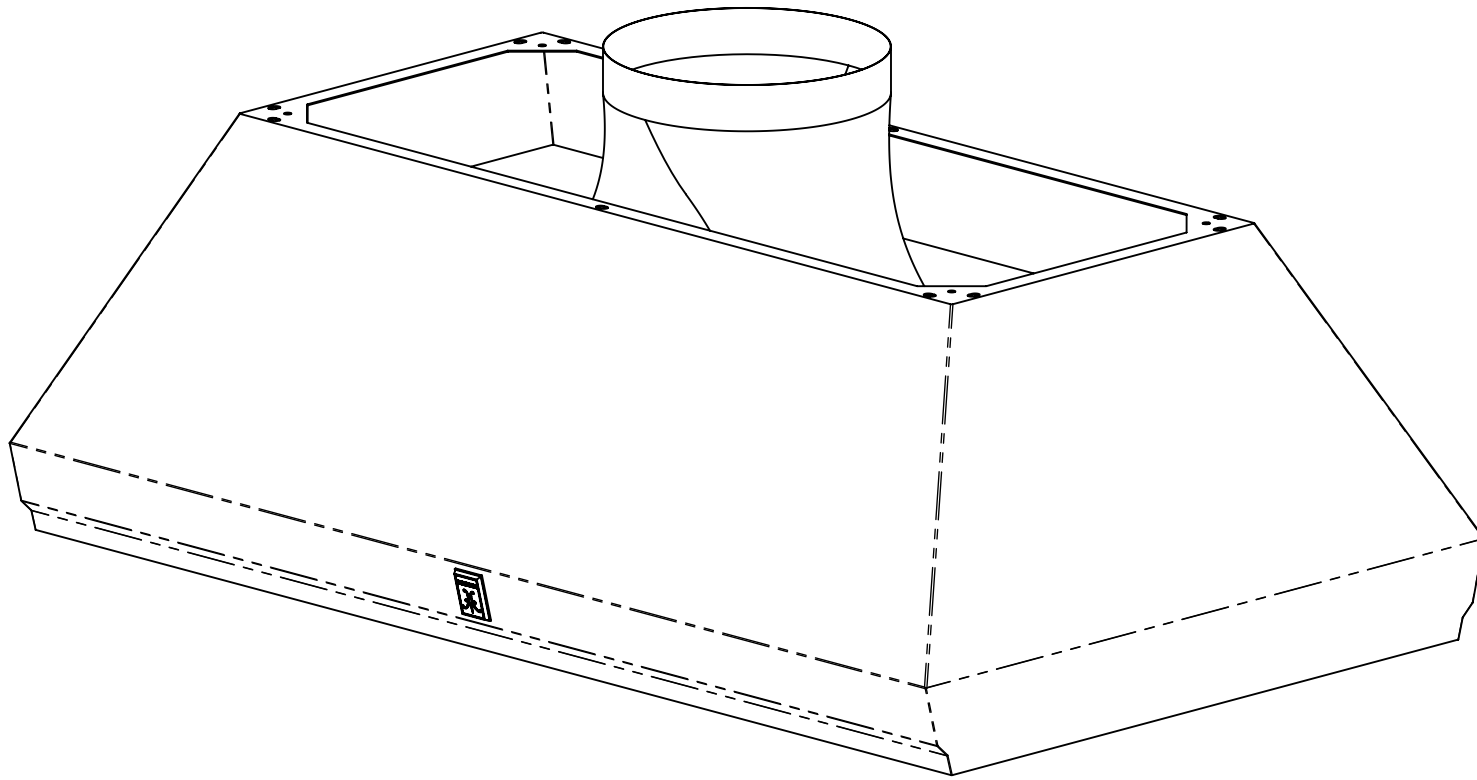
VENTILATION HOOD, ISLAND, 1100 CFM, 54"

DRAWN BY	DATE	DRAWING NO	REVISION
hwenzel	2019-07-18	KVI54-XX	01
CHECKED BY	DATE	SCALE	SHEET NO.
VS	2018-06-14	1:15	1 OF 2

PROTOTYPE

COLOR TABLE

KVI54	VENTILATION HOOD, ISLAND, 1100 CFM, 54"
KVI54-BK	VENTILATION HOOD, ISLAND, 1100 CFM, 54" - BLACK
KVI54-WH	VENTILATION HOOD, ISLAND, 1100 CFM, 54" - WHITE
KVI54-RD	VENTILATION HOOD, ISLAND, 1100 CFM, 54" - RED
KVI54-YW	VENTILATION HOOD, ISLAND, 1100 CFM, 54" - YELLOW
KVI54-OR	VENTILATION HOOD, ISLAND, 1100 CFM, 54" - ORANGE
KVI54-BG	VENTILATION HOOD, ISLAND, 1100 CFM, 54" - BURGUNDY
KVI54-PP	VENTILATION HOOD, ISLAND, 1100 CFM, 54" - PURPLE
KVI54-BU	VENTILATION HOOD, ISLAND, 1100 CFM, 54" - BLUE
KVI54-GR	VENTILATION HOOD, ISLAND, 1100 CFM, 54" - GREEN
KVI54-GG	VENTILATION HOOD, ISLAND, 1100 CFM, 54" - DARK GRAY
KVI54-TQ	VENTILATION HOOD, ISLAND, 1100 CFM, 54" - TURQUOISE



DRAWING NO		KVI54-XX		REVISION		01	
SCALE	1:8	SIZE	A	MATERIAL	FINISH	SHEET NO.	2 OF 2