

ASPIRE

BY HESTAN

Outdoor Refrigerator

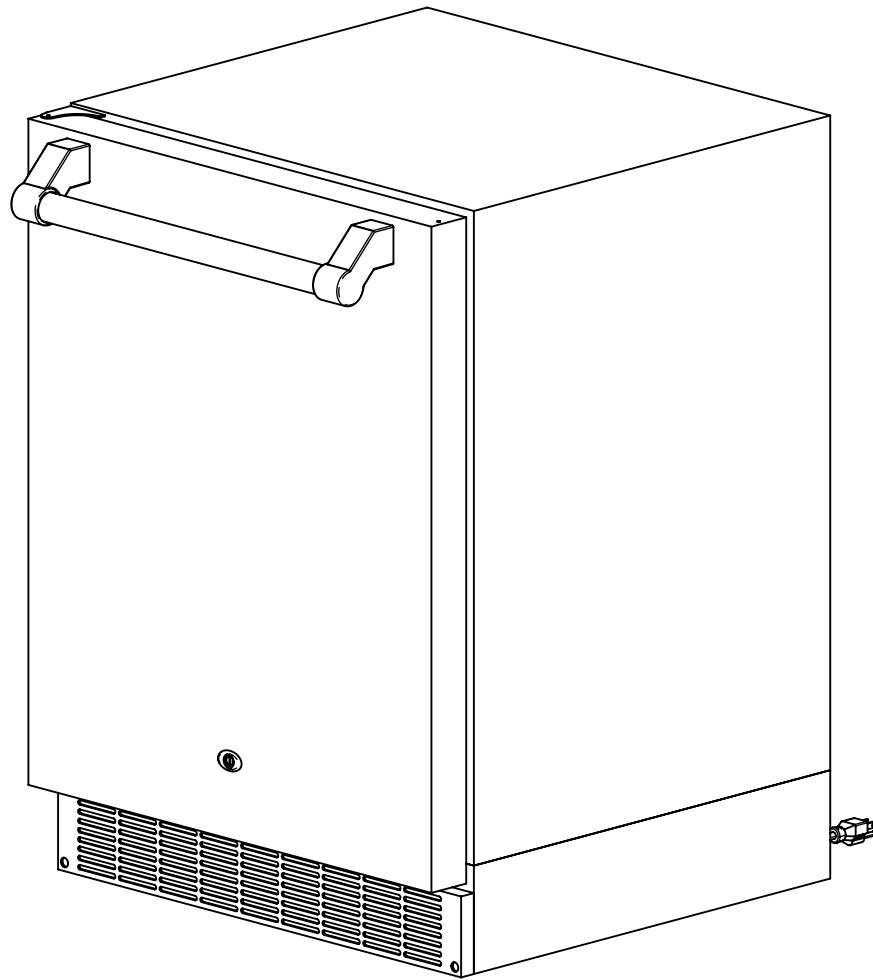
ERS24

Parts List

Hestan Commercial Corporation
3375 E. La Palma Ave.
Anaheim, CA 92806
(888) 905-7463

RETAIN THIS FOR FUTURE REFERENCE

ASPIRE
BY HESTAN



ERS24 SHOWN

CUSTOMER MUST SUPPLY FULL MODEL & SERIAL NUMBER WHEN ORDERING PARTS !!!

**OEM SUPPLIER MODEL NUMBER: BC160-OD (FC11605200) Effective Dec. 2016
BC160-OD (FC11605201) Effective Oct. 2018
BC160-ODS (FC11605500) Effective Nov. 2019**

Hestan Model Number	Product Description
ERS24	OUTDOOR REFRIGERATOR, SOLID REVERSIBLE DOOR, WITH LOCK, 24"



PROPRIETARY
NO PART OF THIS DOCUMENT MAY BE REPRODUCED,
STORED IN A RETRIEVAL SYSTEM, OR TRANSMITTED IN
ANY FORM, WITHOUT THE WRITTEN PERMISSION OF
Hestan Commercial Corporation. THIS DOCUMENT OR ANY
COPIES SHALL BE RETURNED UPON WRITTEN REQUEST.

DESCRIPTION

SERVICE, ASPIRE OUTDOOR FRIDGE (ERS24)

DRAWING NO

ERS24-SERVICE

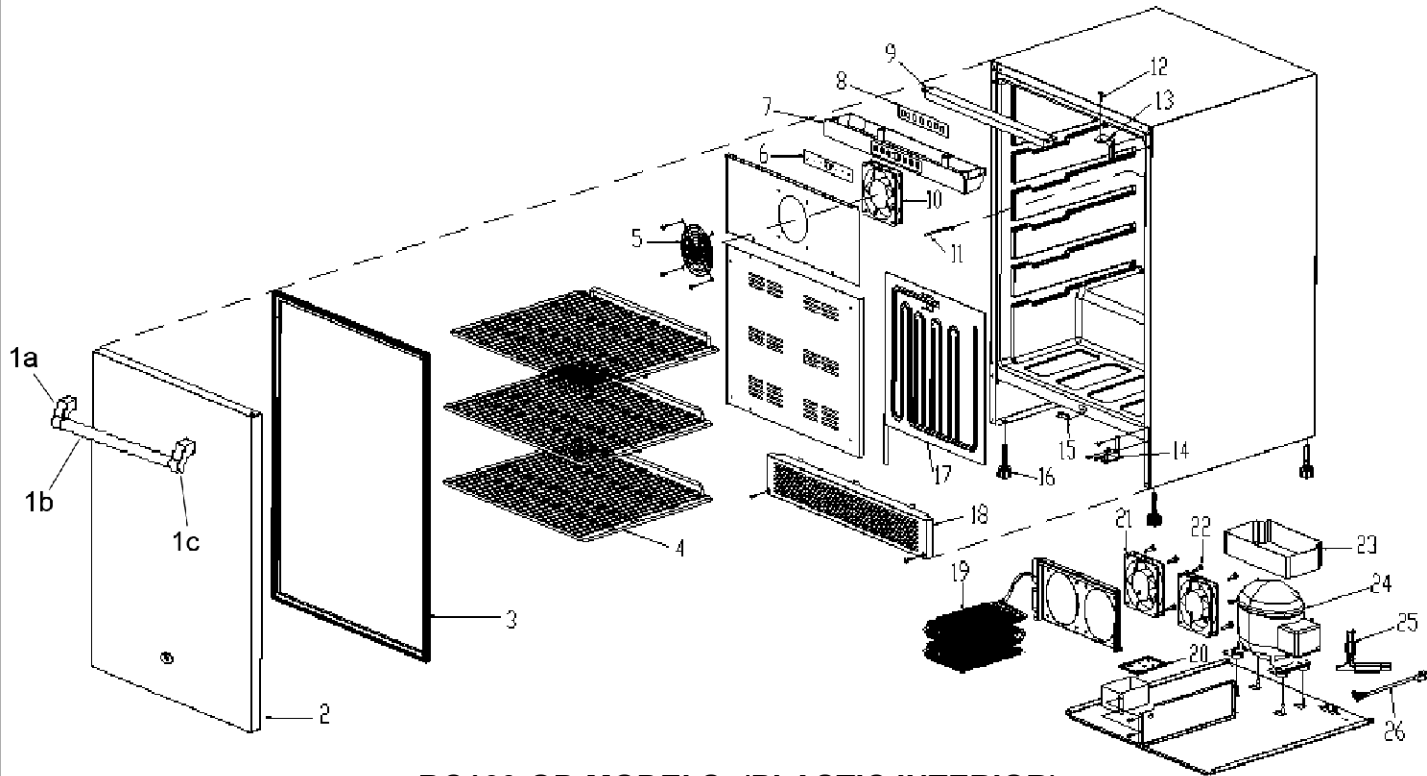
REVISION

C

SHEET NO.

1 OF 3

ASPIRE BY HESTAN



BC160-OD MODELS (PLASTIC INTERIOR)

Item No.	Hestan P/N	Description
1a	000463	Endcap, Handle, LH, SM
1b	016326	Handle, Door, 24" Outdoor Fridge
1c	000704	Endcap, Handle, RH, SM
2	027026	Foamed Door
3	016761	Door gasket
4	016762	Shelf
5	016763	Fan cover
6	016764	Mask
7	016765	Display panel fixed bin
8	016766	Display panel
9	027025	LED light
10	016768	Fan
11	016769	Sensor
12	016770	Hinge pillar
13	016771	Top hinge
14	016772	Bottom hinge
15	016773	Switch of door light
16	016774	Foot
17		Evaporator plate
18	016775	Bottom plate
19		Condenser
20	016776	Controller
21	027032	28 dBA Fan
22	027033	Silicone Rivet FM-24.3L BK
23		Water bin of compressor
24		Compressor
25		Wire Harness
26	016777	Power cord

CUSTOMER MUST SUPPLY FULL MODEL & SERIAL NUMBER WHEN ORDERING PARTS !!!

**OEM SUPPLIER MODEL NUMBER: BC160-OD (FC11605200) Effective Dec. 2016
BC160-OD (FC11605201) Effective Oct. 2018
BC160-ODS (FC11605500) Effective Nov. 2019**



PROPRIETARY
NO PART OF THIS DOCUMENT MAY BE REPRODUCED,
STORED IN A RETRIEVAL SYSTEM, OR TRANSMITTED IN
ANY FORM, WITHOUT THE WRITTEN PERMISSION OF
Hestan Commercial Corporation. THIS DOCUMENT OR ANY
COPIES SHALL BE RETURNED UPON WRITTEN REQUEST.

DESCRIPTION

SERVICE, ASPIRE OUTDOOR FRIDGE (ERS24)

DRAWING NO

ERS24-SERVICE

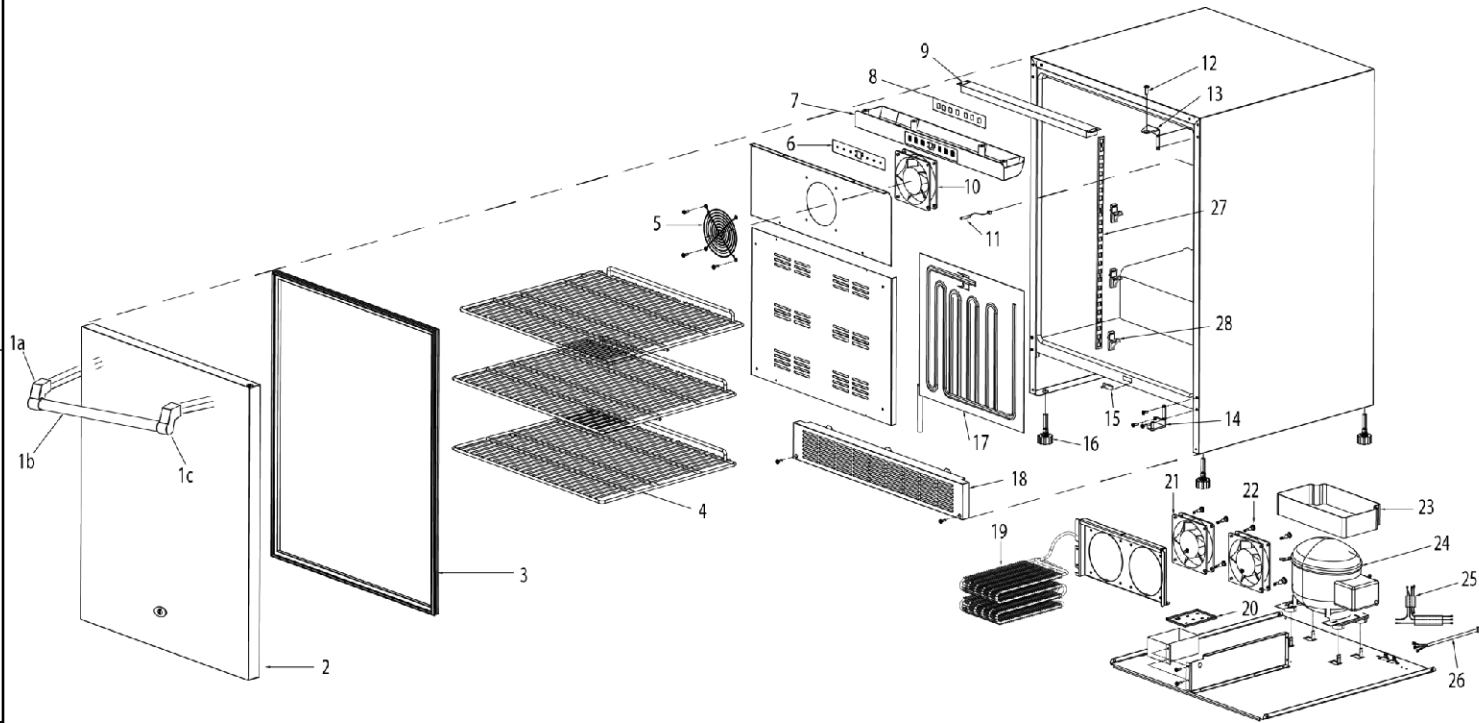
REVISION

C

SHEET NO.

2 OF 3

ASPIRE BY HESTAN



BC160-ODS MODEL (STAINLESS INTERIOR)

CUSTOMER MUST SUPPLY FULL MODEL & SERIAL NUMBER WHEN ORDERING PARTS !!!

**OEM SUPPLIER MODEL NUMBER: BC160-OD (FC11605200) Effective Dec. 2016
BC160-OD (FC11605201) Effective Oct. 2018
BC160-ODS (FC11605500) Effective Nov. 2019**

Item No.	Hestan P/N	Description
1a	000463	Endcap, Handle, LH, SM
1b	016326	Handle, Door, 24" Outdoor Fridge
1c	000704	Endcap, Handle, RH, SM
2	032438	Foamed Door (all stainless)
3	016761	Door Gasket
4	032439	Shelf
5	016763	Fan cover
6	016764	Mask
7	032440	Display panel fixed bin (all stainless)
8	016766	Display panel
9	027025	LED light
10	016768	Fan
11	016769	Sensor
12	016770	Hinge Pillar
13	016771	Top Hinge
14	016772	Bottom Hinge
15	016773	Switch of Door Light
16	016774	Foot
17		Evaporator Plate
18	016775	Bottom Plate
19		Condenser
20	016776	Controller
21	027032	28 dBA Fan
22	027033	Silicone Rivet FM-24.3L BK
23		Water Bin of Compressor
24		Compressor
25		Wire Harness
26	016777	Power Cord
27	032441	Shelf Bracket (4 per Fridge)
28	032442	Shelf Clip (4 per shelf required)



PROPRIETARY
NO PART OF THIS DOCUMENT MAY BE REPRODUCED,
STORED IN A RETRIEVAL SYSTEM, OR TRANSMITTED IN
ANY FORM, WITHOUT THE WRITTEN PERMISSION OF
Hestan Commercial Corporation. THIS DOCUMENT OR ANY
COPIES SHALL BE RETURNED UPON WRITTEN REQUEST.

DESCRIPTION

SERVICE, ASPIRE OUTDOOR FRIDGE (ERS24)

DRAWING NO

ERS24-SERVICE

REVISION

B01

SHEET NO.

3 OF 3