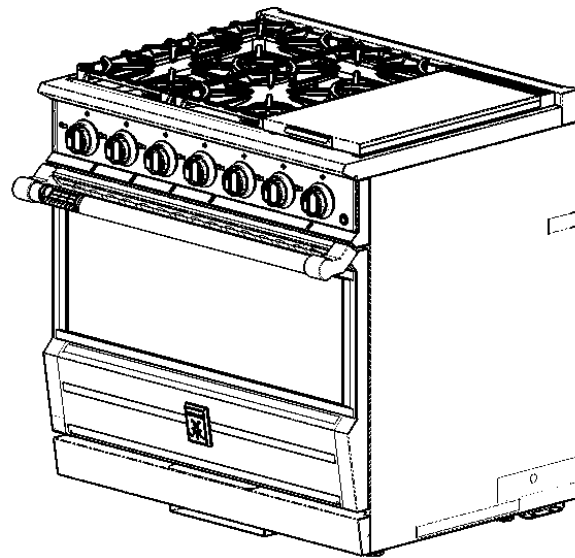
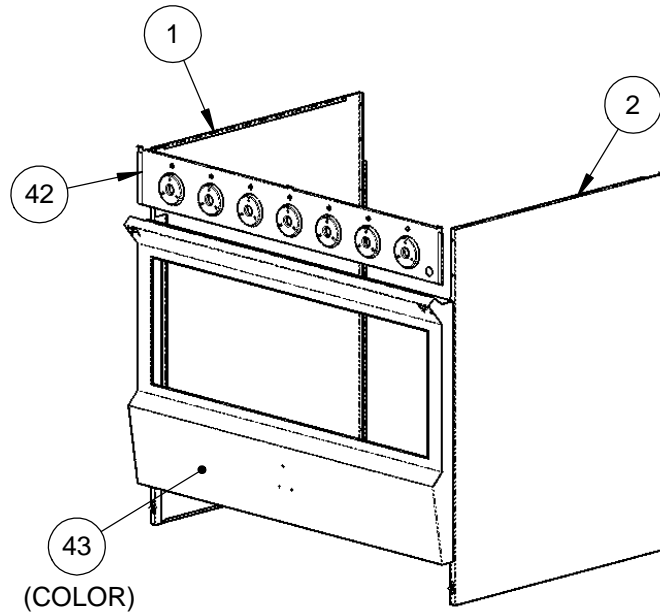




**Dual-Fuel Range w/Griddle
KRD364GD
Parts List**

**Hestan Commercial Corporation
3375 E. La Palma Ave.
Anaheim, CA 92806
(888)905-7463**

RETAIN THIS FOR FUTURE REFERENCE



Color Extension (-XX)	Description
	Stainless Steel
-BK	Stealth - Black
-WH	Froth - White
-RD	Matador - Red
-YW	Sol - Yellow
-OR	Citra - Orange
-BG	Tin Roof - Burgundy
-PP	Lush - Purple
-BU	Prince - Blue
-GR	Grove - Green
-GG	Pacific Fog - Graphite Gray
-TQ	Bora Bora - Turquoise

SEE SHEET 10 FOR PARTS LIST

HESTAN

PROPRIETARY
NO PART OF THIS DOCUMENT MAY BE REPRODUCED,
STORED IN A RETRIEVAL SYSTEM, OR TRANSMITTED IN
ANY FORM, WITHOUT THE WRITTEN PERMISSION OF
Hestan Commercial Corporation. THIS DOCUMENT OR ANY
COPIES SHALL BE RETURNED UPON WRITTEN REQUEST.

DESCRIPTION

**SERVICE - RANGE, 4 BURNER WITH
GRIDDLE, DUAL FUEL, 36"**

DRAWING NO

KRD364GD-SERVICE

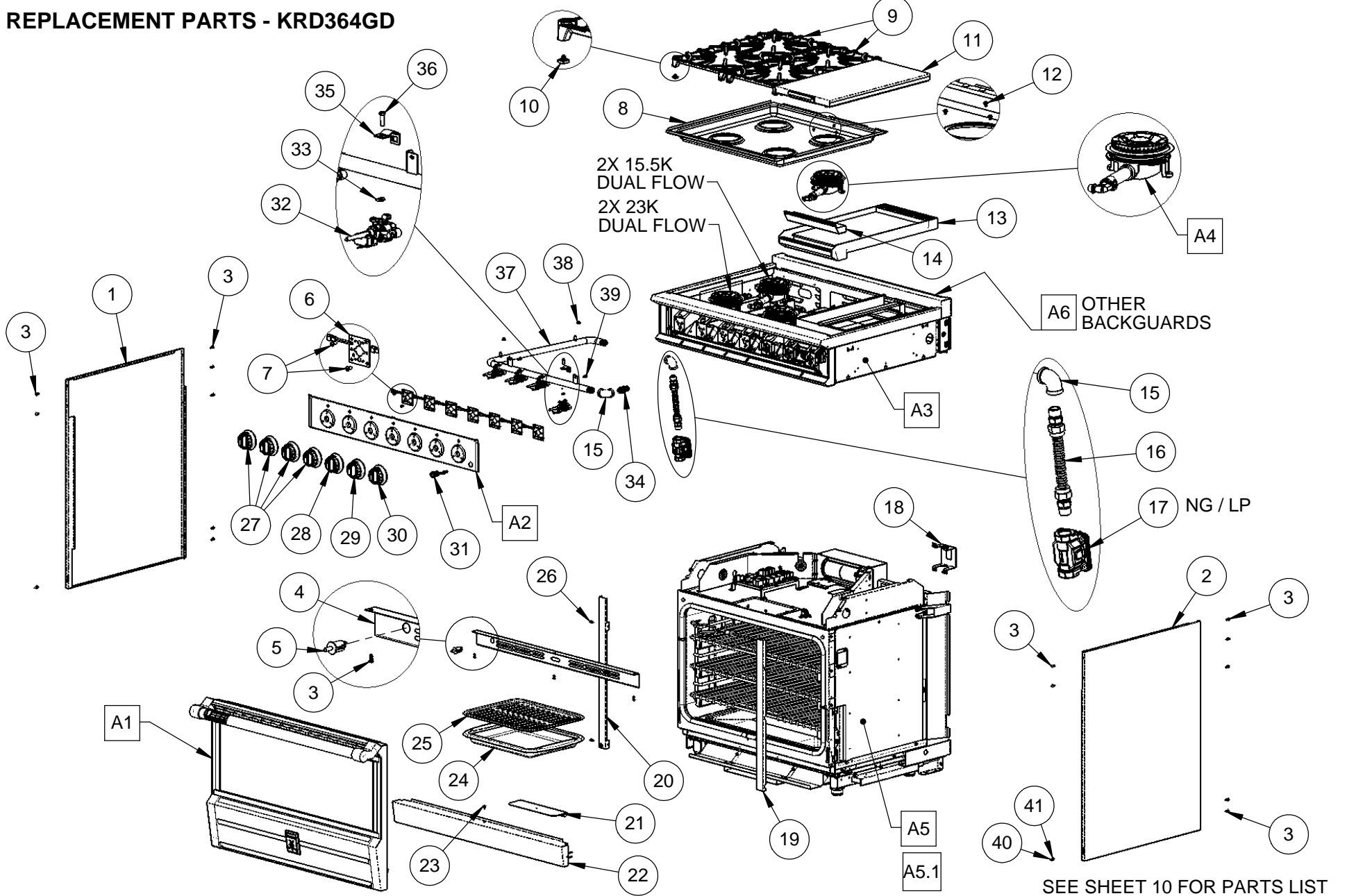
REVISION

A

SHEET NO.

1 OF 10

REPLACEMENT PARTS - KRD364GD



PROPRIETARY
NO PART OF THIS DOCUMENT MAY BE REPRODUCED,
STORED IN A RETRIEVAL SYSTEM, OR TRANSMITTED IN
ANY FORM, WITHOUT THE WRITTEN PERMISSION OF
Hestan Commercial Corporation. THIS DOCUMENT OR ANY
COPIES SHALL BE RETURNED UPON WRITTEN REQUEST.

DESCRIPTION

**SERVICE - RANGE, 4 BURNER WITH
GRIDDLE, DUAL FUEL, 36"**

DRAWING NO

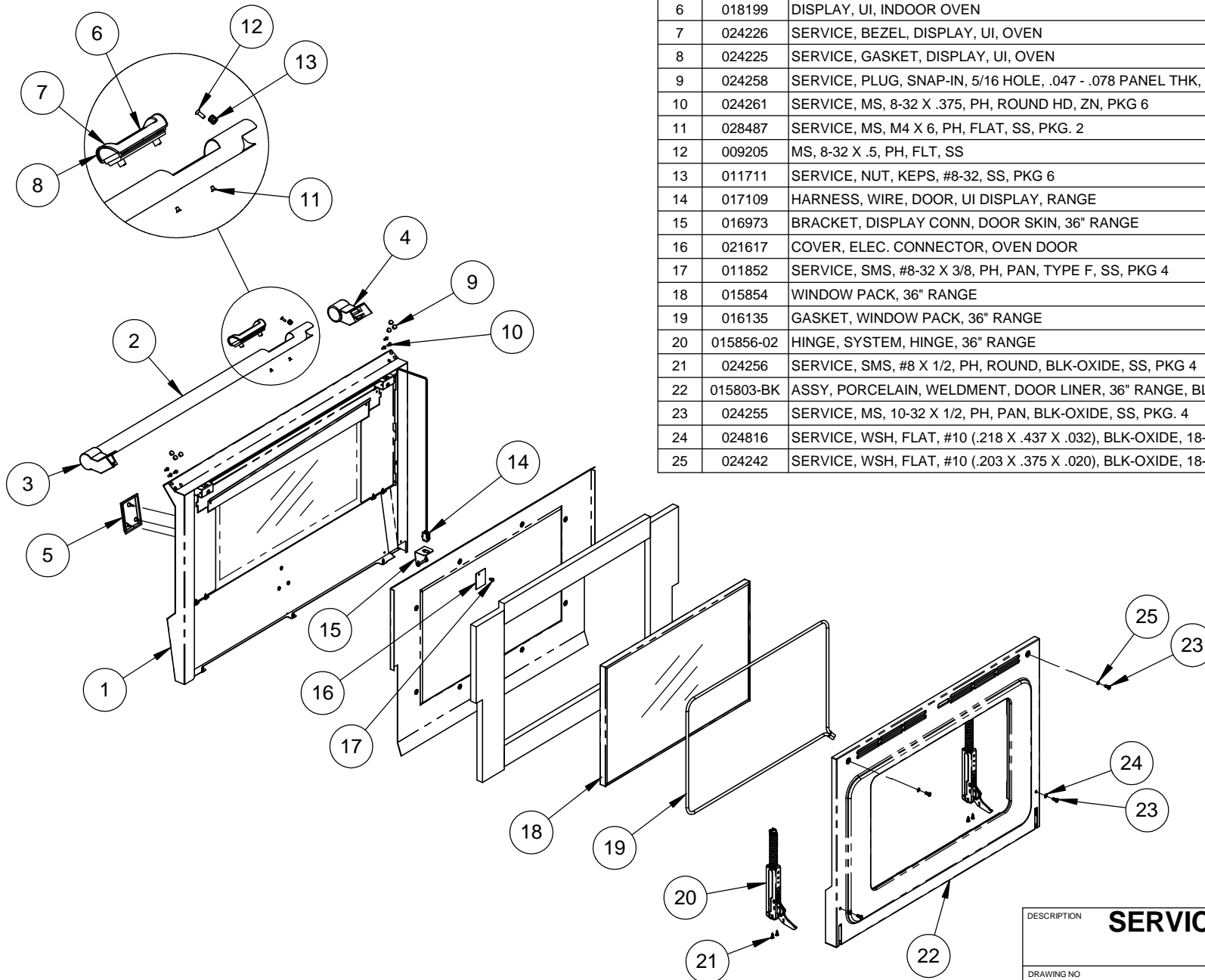
KRD364GD-SERVICE

REVISION

A

SHEET NO.

2 OF 10

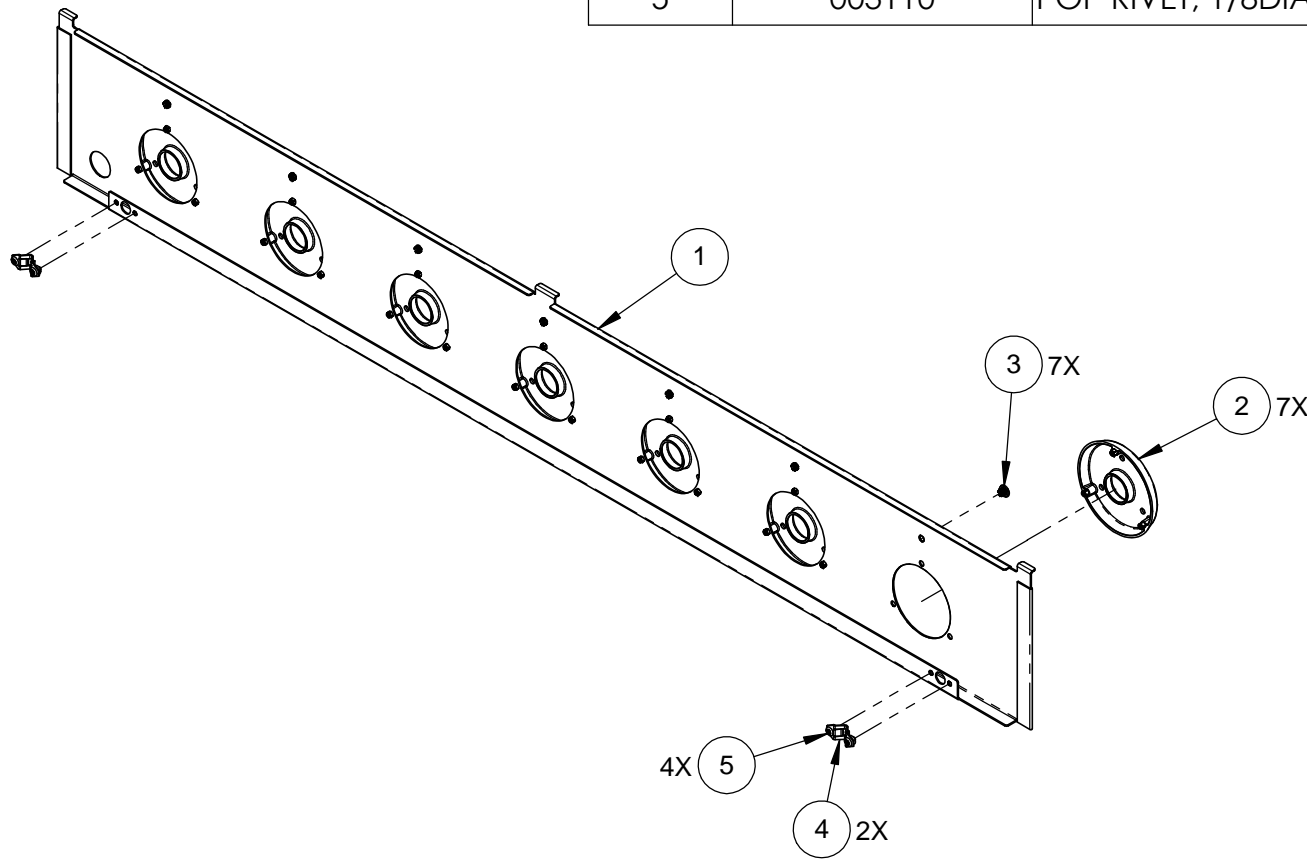


ITEM	PART NO.	DESCRIPTION	QTY.
1	025809-XX	SERVICE, ASSY., DOOR SKIN, 36" RANGE	1
2	018198	HANDLE, DOOR, INDOOR OVEN, 36" RANGE	1
3	017153	ENDCAP, HANDLE, RH, OVEN DOOR, INDOOR	1
4	017152	ENDCAP, HANDLE, LH, OVEN DOOR, INDOOR	1
5	024252	SERVICE, LARGE HESTAN LOGO W/ RETAINING RINGS	1
6	018199	DISPLAY, UI, INDOOR OVEN	1
7	024226	SERVICE, BEZEL, DISPLAY, UI, OVEN	1
8	024225	SERVICE, GASKET, DISPLAY, UI, OVEN	1
9	024258	SERVICE, PLUG, SNAP-IN, 5/16 HOLE, .047 - .078 PANEL THK, STEEL, NICKEL PLATED, PKG 4	1
10	024261	SERVICE, MS, 8-32 X .375, PH, ROUND HD, ZN, PKG 6	1
11	028487	SERVICE, MS, M4 X 6, PH, FLAT, SS, PKG. 2	1
12	009205	MS, 8-32 X .5, PH, FLT, SS	1
13	011711	SERVICE, NUT, KEPS, #8-32, SS, PKG 6	1
14	017109	HARNESS, WIRE, DOOR, UI DISPLAY, RANGE	1
15	016973	BRACKET, DISPLAY CONN, DOOR SKIN, 36" RANGE	1
16	021617	COVER, ELEC. CONNECTOR, OVEN DOOR	1
17	011852	SERVICE, SMS, #8-32 X 3/8, PH, PAN, TYPE F, SS, PKG 4	1
18	015854	WINDOW PACK, 36" RANGE	1
19	016135	GASKET, WINDOW PACK, 36" RANGE	1
20	015856-02	HINGE, SYSTEM, HINGE, 36" RANGE	2
21	024256	SERVICE, SMS, #8 X 1/2, PH, ROUND, BLK-OXIDE, SS, PKG 4	1
22	015803-BK	ASSY, PORCELAIN, WELDMENT, DOOR LINER, 36" RANGE, BLACK	1
23	024255	SERVICE, MS, 10-32 X 1/2, PH, PAN, BLK-OXIDE, SS, PKG. 4	1
24	024816	SERVICE, WSH, FLAT, #10 (.218 X .437 X .032), BLK-OXIDE, 18-8 SS, PKG 2	1
25	024242	SERVICE, WSH, FLAT, #10 (.203 X .375 X .020), BLK-OXIDE, 18-8 SS, PKG 6	1

HESTAN

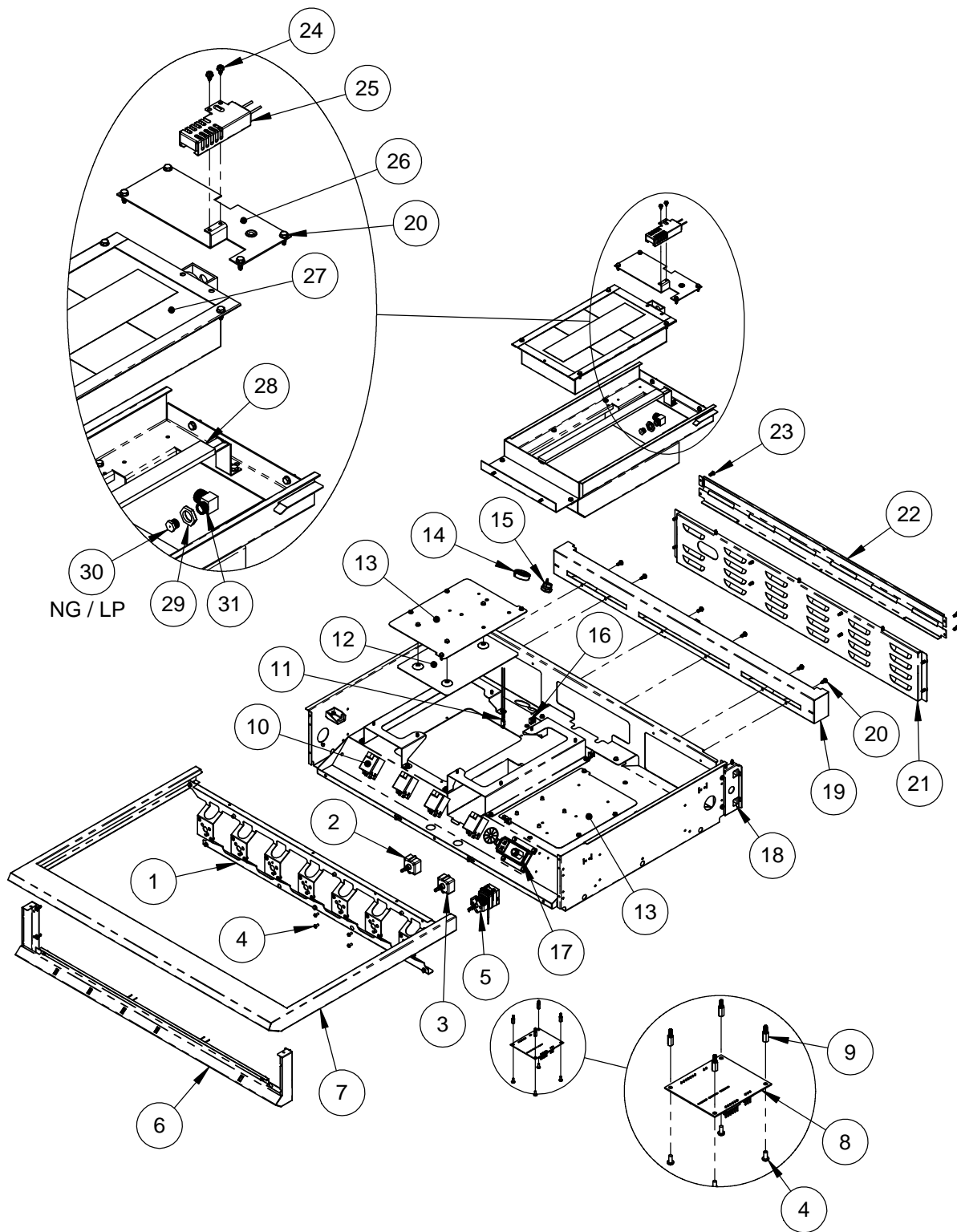
DESCRIPTION **SERVICE, DOOR ASSEMBLY, DF, 36"**
DRAWING NO **A1**

ITEM NO.	PART NUMBER	DESCRIPTION	QTY.
1	017087	INSERT, CONTROL PANEL, 36 RANGE	1
2	019744	DIFFUSER LENS, PRESS FIT	7
3	009871	PLUG FOR 1/4-20 SHCS, CHROME	7
4	000852	RECEPTACLE, BALL STUD, 18LB PULL, ZN, C1663-028-3B	2
5	003110	POP RIVET, 1/8DIA X .275L, SS	4



HESTAN

DESCRIPTION	SERVICE, ASSY, CONTROL PANEL INSERT, 36" RANGE
DRAWING NO	A2



ITEM	PART NO.	DESCRIPTION	QTY.
1	017874	CROSSMEMBER, FRONT, FRAME, RANGETOP - 36	1
2	018073	SELECTOR, 10 POSITION, RESIDENTIAL INDOOR	1
3	018072	SELECTOR, 3 POSITION, RESIDENTIAL INDOOR	1
4	011857	SERVICE, MS, 8-32 X .375, PH, PAN, SS, PKG 6	1
5	019530-S	SERVICE, THERMOSTAT ASSEMBLY, GRIDDLE, RESIDENTIAL INDOOR	1
6	017784-4	CONTROL PANEL, CHIN, ASSY - 364GD RANGE	1
7	017793	BULLNOSE, RANGETOP, WA - 36	1
8	019678	LED DRIVER / ISOLATOR BOARD	1
9	024507	SERVICE, STANDOFF, MALE-FEMALE, 1/2"L, #8-32, PKG. 4	1
10	000529	MODULE, EGO RE-IGNITER, RI120A-1	4
11	026362	HARNESS, WIRE, RANGETOP/RANGE, 364GD	1
12	020821	HEAT SHIELD, LEFT, INDOOR OVEN	1
13	019412	COVER, OVEN ACCESS, RANGETOP	2
14	018393	SNAP BUSHING, 1.06" MAX ID, BLACK	2
15	005862	STRAIN RELIEF, SNAP-IN, 3/4" KNOCKOUT	1
16	033830	SERVICE, CABLE HOLDER, PUSH IN, 3/8" DIAMETER, PKG. 6	1
17	028060	GAS ASSY, GRIDDLE, 12	1
18	032936	BRACKET, MOUNTING, RISER, REAR ACCESS, RANGETOP	2
19	033015	RISER, ISLAND, INNER SIDE MOUNT, RESIDENTIAL INDOOR - 36	1
20	024263	SERVICE, SMS, #10-24 X .50, HEXWSH, TYPE F, SS, PKG 10	2
21	019680	REAR COVER, 36" RANGETOP	1
22	019654	COVER, RISER, ISLAND, RESIDENTIAL INDOOR - 36	1
23	010242	SERVICE, SMS, #10-24 X 1/2, PH, PAN, TYPE F, SS, PKG 10	1
24	032596	SERVICE, SMS, #8 X 3/8, SLOT, HEXWSH, SS, PKG 6	1
25	025100	IGNITER, HOT SURFACE, 3.2 TO 3.6 AMP	1
26	026849	COVER, TRAY, BURNER, INDOOR RESIDENTIAL	1
27	026719	BURNER, INFRARED, GRIDDLE, RESIDENTIAL INDOOR	1
28	027496	FRONT, FIREBOX, GRIDDLE, WA	1
29	008280	NUT, PANEL, 3/8" NPS	1
30	002865-050	ORIFICE, SPUD - #50 NG	1
	002865-056	ORIFICE, SPUD - #56 LP	1
31	002513	ELBOW, ORIFICE, IR BURNER	1

HESTAN

**SERVICE, TOP ASSY, DF
RANGE, 364GD**

A3

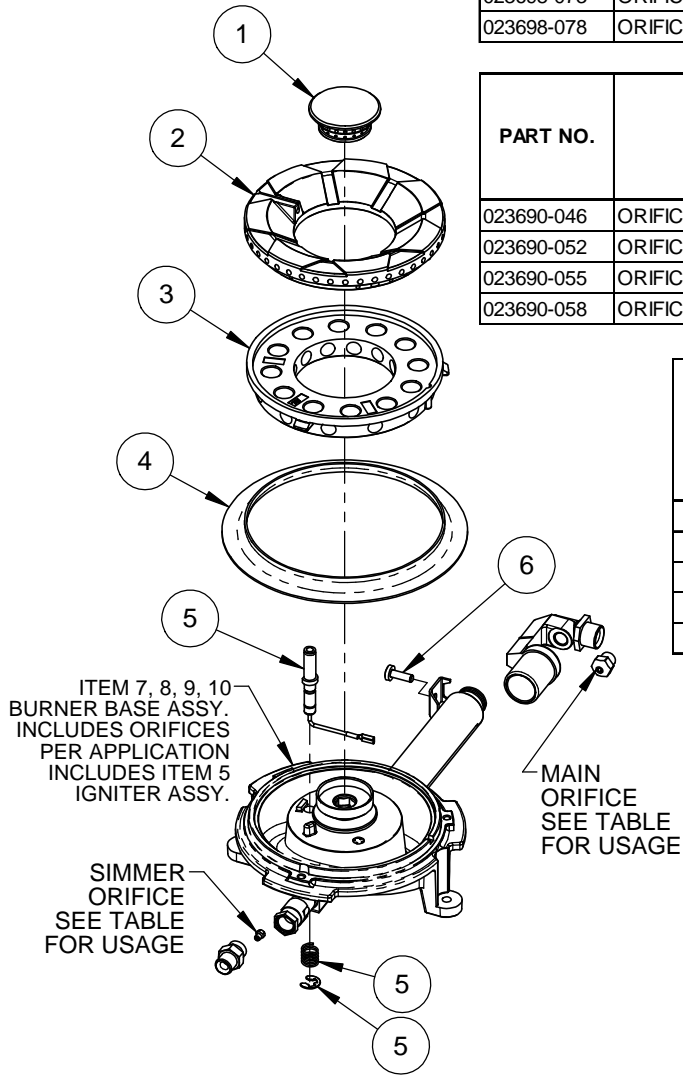
DESCRIPTION

DRAWING NO

PART NO.	SIMMER ORIFICES	Z (IN)	Z (MM)	STAMP	COLOR CODE	15.5k Dual Flow BURNER		23k Dual Flow BURNER	
						NG	LP	NG	LP
023698-073	ORIFICE, SIMMER, DUAL FLOW BURNER, INDOOR, #73	0.024	0.61	V	BLACK	X		X	
023698-078	ORIFICE, SIMMER, DUAL FLOW BURNER, INDOOR, #78	0.016	0.41	T	RED		X		X

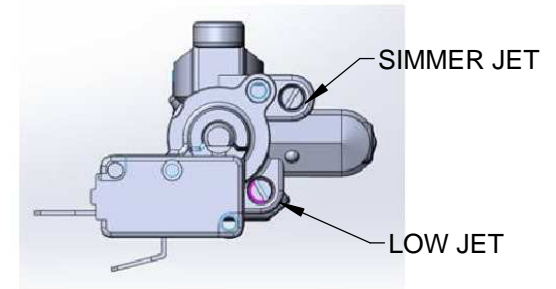
PART NO.	MAIN ORIFICES	Z (IN)	Z (MM)	STAMP	COLOR CODE	15.5k Dual Flow BURNER		23k Dual Flow BURNER	
						NG	LP	NG	LP
023690-046	ORIFICE, MAIN, DUAL FLOW BURNER, INDOOR, #46	0.081	2.05	-	YELLOW, BLACK			X	
023690-052	ORIFICE, MAIN, DUAL FLOW BURNER, INDOOR, #52	0.064	1.60	-	WHITE, BLACK	X			
023690-055	ORIFICE, MAIN, DUAL FLOW BURNER, INDOOR, #55	0.052	1.32	-	YELLOW, RED				X
023690-058	ORIFICE, MAIN, DUAL FLOW BURNER, INDOOR, #58	0.042	1.07	-	WHITE, RED		X		


PART NO.	VALVE ORIFICES (JETS)	Z (IN)	Z (MM)	COLOR CODE	Dual Flow VALVE Low Orifice		Dual Flow VALVE Simmer Orifice	
					NG	LP	NG	LP
023701-062	ORIFICE, VALVE, INDOOR, #62	0.038	0.97	ORANGE				
023701-065	ORIFICE, VALVE, INDOOR, #65	0.035	0.88	BLACK	X			
023701-073	ORIFICE, VALVE, INDOOR, #73	0.024	0.61	RED		X		
023701-080	ORIFICE, VALVE, INDOOR, #80	0.0135	0.34	YELLOW			X	
023701-087	ORIFICE, VALVE, INDOOR, #87	0.010	0.25	WHITE				X



DUAL BURNER ASSY.

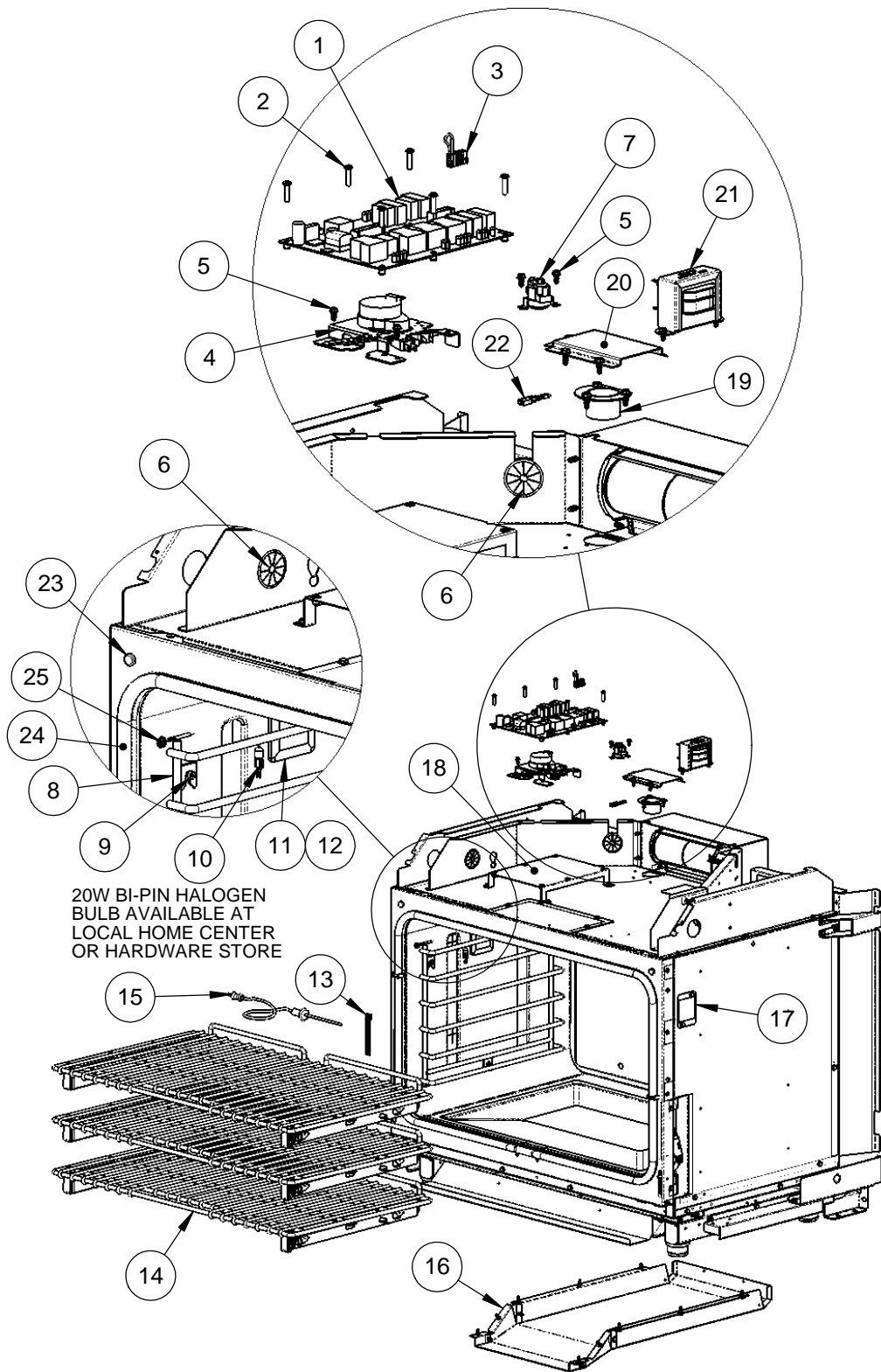
ITEM NO.	PART NO.	DESCRIPTION	QTY.
1	018436	D-INNER BURNER HEAD, DUAL FLOW, RESIDENTIAL INDOOR	1
2	018419	D-DUAL BURNER HEAD, DUAL FLOW, RESIDENTIAL INDOOR	1
3	018418	D-CROSS RING, DUAL FLOW, RESIDENTIAL INDOOR	1
4	018421	D-BEAUTY RING, DUAL FLOW, RESIDENTIAL INDOOR	1
5	024189	SERVICE, IGNITOR KIT, DUAL FLOW BURNER	1
6	024244	SERVICE, MS, M4 X 12, SEALED BURNER, PKG 4	1
7	020399	BURNER BASE ASSY, DUAL FLOW, 23K - NG	2
8	020401	BURNER BASE ASSY, DUAL FLOW, 23K - LP	2
9	020400	BURNER BASE ASSY, DUAL FLOW, 15.5K - NG	2
10	020402	BURNER BASE ASSY, DUAL FLOW, 15.5K - LP	2



 **HESTAN**
SERVICE, DUAL FLOW BURNER ASSY.
A4

DESCRIPTION

DRAWING NO



ITEM NO.	PART NO.	DESCRIPTION	QTY.
1	016513	RELAY BOARD, ELAN, EOC-U	1
2	014557	SERVICE, MS, 8-32 X .75, PH, PAN, SS, PKG 4	1
3	020720-01	MODEL HEADER, EOCU BOARD	1
4	021174	LATCH, DOOR	1
5	011852	SERVICE, SMS, #8-32 X 3/8, PH, PAN, TYPE F, SS, PKG 4	1
6	018393	SNAP BUSHING, 1.06" MAX ID, BLACK	2
7	018024	SWITCH, HI-LIMIT	1
8	018230	RACK, LADDER, LH & RH, RANGE, W/A	2
9	017446	SB, #8-32 X 3/16 DIA X 1/4L, SS, PKG 2	1
10	018142	SERVICE, BULB, HALOGEN, G4 BI-PIN, 20W, PKG 2	1
11	024352	SERVICE, LENS, LAMP, HALOGEN, 12V 20W, 65 X 80 mm	1
12	017916	ASSY, LAMP, HALOGEN, 12V 20W, 65 X 80 mm	2
13	017110	HARNESS, WIRE, OVEN, UI DISPLAY, RANGE	1
14	023554	RACK, WITH SLIDES, INDOOR OVEN, 30"	3
15	018533	PROBE, MEAT	1
16	028416	SERVICE, EXHAUST DUCT ASSY., 30/36 RANGE	1
17	018864	ACCESS PANEL, MEAT PROBE, 36" RANGE	2
18	016514	BRACKET, SUPPORT, RELAY BOARD	1
19	018854	DUCT, SMOKE ELIMINATOR, WA	1
20	018234	DUCT, SMOKE ELIMINATOR	1
21	016512	TRANSFORMER, 40VA, 120VAC TO 12/24V	1
22	019364	HARNESS, WIRE, OVEN TO RANGETOP, RANGE, 365/364GD	1
23	010197	SERVICE, BUMPER, RUBBER, .50 DIAM. X .250 H, PKG 4	1
24	015484	GASKET ASSY, CELL, OVEN, 36" RANGE	1
25	018425	SOCKET, MEAT PROBE	1

HESTAN

**SERVICE, OVEN ASSEMBLY,
DF, 36"**

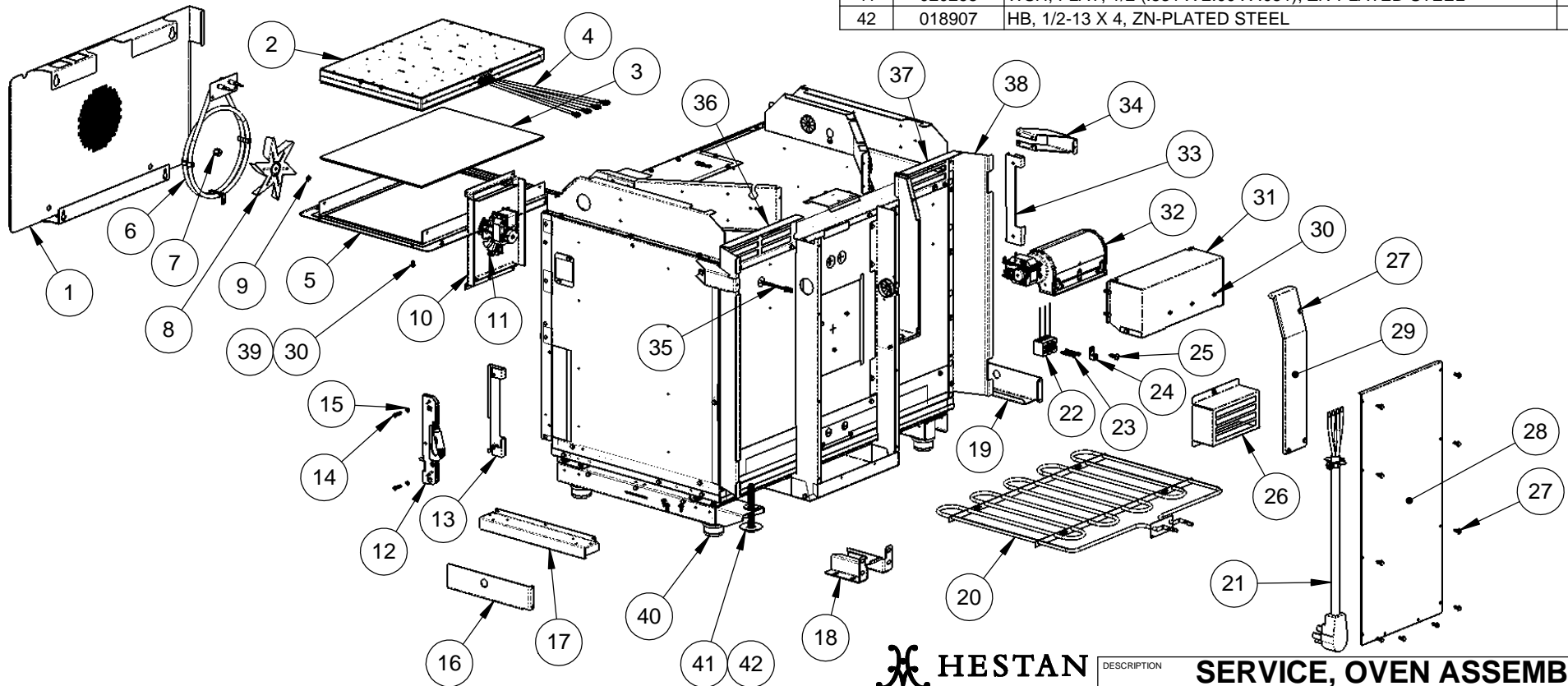
DESCRIPTION

DRAWING NO

A5

ITEM	PART NO.	DESCRIPTION	QTY.
1	017886-BK	BAFFLE, CONVECTION, PORCELAINED, 36" RANGE	1
2	015527	ELEMENT, BROIL, 36" RANGE	1
3	015907	GLASS, CERAMIC, WHITE, BROILER, 36" RANGE	1
4	018933	HARNES, WIRE, BROIL ELEMENT, INDOOR RANGE	1
5	015526-BK	ASSY, PORCELAIN, WELDMENT, FRAME, GLASS, BROIL ELEMENT, 36" RANGE	1
6	017889	ELEMENT, CONVECTION, 240V 2600W, INDOOR RANGE	1
7	017918	NUT, HEX, 1/4-28, CONV. FAN, RANGE	1
8	017917	BLADE, CONV FAN, 152mm	1
9	018860	WASHER, FLAT, M6	1
10	015529	PLATE, MOUNTING, CONVECTION FAN MOTOR, 36" RANGE	1
11	015530	FAN, CONVECTION, 36" RANGE	1
12	015856-01	RECEIVER, DAMPED, 36" RANGE	2
13	015588	ASSY, WELDMENT, HOLDER, HINGE, RIGHT, 36" RANGE	1
14	024257	SERVICE, MS, 10-32 X 3/4", HEX, ZINC PLATED, STEEL, PKG 4	1
15	024242	SERVICE, WSH, FLAT, #10 (.203 X .375 X .020), BLK-OXIDE, 18-8 SS, PKG 6	1
16	017779	SUPPORT, PANEL, SIDE, RIGHT, LOWER, 36" RANGE	1
17	017778	SPACER, BOTTOM, PANEL, SIDE, 36" RANGE	2
18	029078	ANTI-TIP BRACKET, SMALL, INDOOR RANGE	1
19	017780	SUPPORT, PANEL, SIDE, LEFT, LOWER, 36" RANGE	1

20	015493	ASSY, ELEMENT, BAKE, 36" RANGE	1
21	024031	CORD, POWER, 6 FT, NEMA 14-50P, 40A, W/ STRAIN RELIEF	1
22	019363	HARNES, WIRE, MAIN, RANGE, 365/364GD	1
23	021800	MS, 8-32 X 1.50, PH, ROUND HD, ZN	1
24	018910	GROUNDING LUG, 1 WIRE, 14-4 AWG	1
25	024253	SERVICE, MS, 1/4-20 x 3/4", PH, PAN, ZN, PKG 4	1
26	020312	COVER, RTD PROBE	1
27	024263	SERVICE, SMS, #10-24 X .50, HEXWSH, TYPE F, SS, PKG 10	1
28	018040	COVER, REAR, DUCT, EXHAUST, 36" RANGE	1
29	019229	ACCESS PANEL, WIRE COVER, INDOOR RANGE	1
30	011852	SERVICE, SMS, #8-32 X 3/8, PH, PAN, TYPE F, SS, PKG 4	1
31	015521	HOUSING, FAN, COOLING, 36" RANGE	1
32	015522	FAN, COOLING, RANGE	1
33	015591	ASSY, WELDMENT, HOLDER, HINGE, LEFT, 36" RANGE	1
34	024023	SUPPORT, PANEL, SIDE, UPPER, 48" RANGE	2
35	018092	RTD PROBE, W/FLANGE, AMP CONNECTOR	1
36	020246	REAR COVER, RH-TOP, 36" RANGE	1
37	019374	REAR COVER, LH-TOP, 36" RANGE	1
38	019373	REAR COVER, LH, 36" RANGE	1
39	010202	SERVICE, WSH, FLAT, #8 (.174 X .438 X .031), SS, PKG 6	1
40	018695	LEG, ADJUSTABLE, 3.15 - 4.75" RANGE	4
41	020268	WSH, FLAT, 1/2 (.531 X 2.00 X .051), ZN-PLATED STEEL	1
42	018907	HB, 1/2-13 X 4, ZN-PLATED STEEL	1



HESTAN

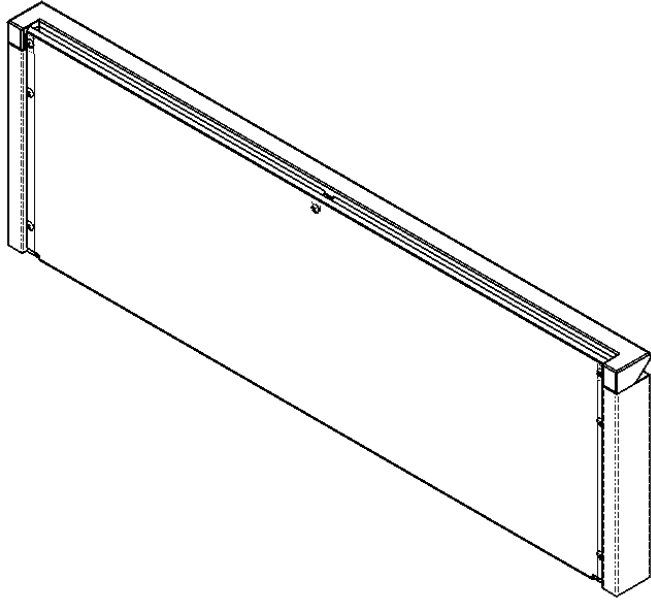
DESCRIPTION

**SERVICE, OVEN ASSEMBLY,
DF, 36"**

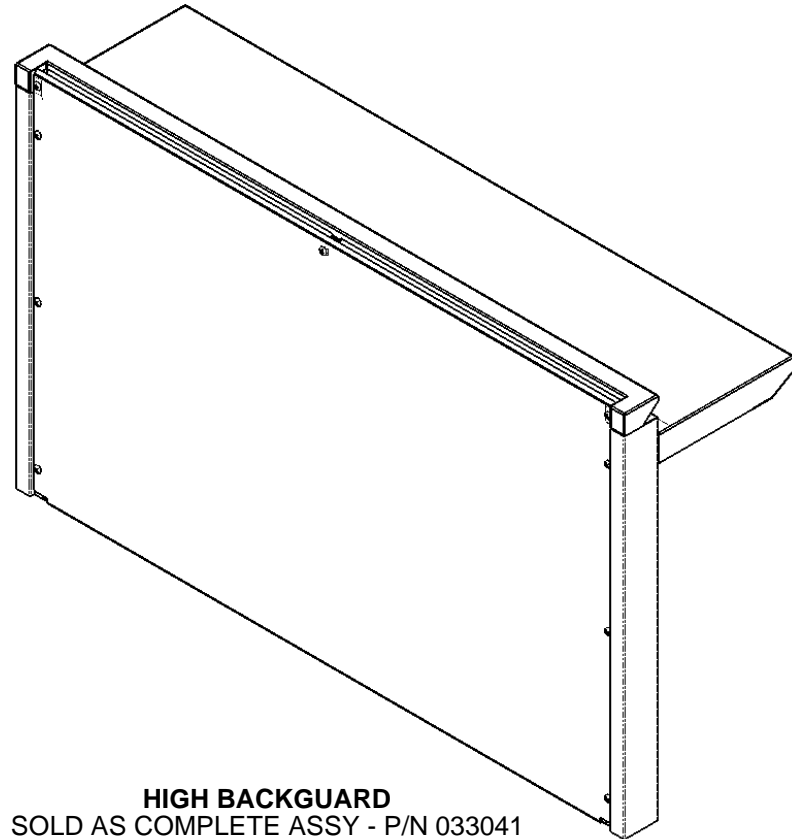
DRAWING NO

A5.1

REF 034196



LOW BACKGUARD
SOLD AS COMPLETE ASSY - P/N 033028
(KBGLB36)



HIGH BACKGUARD
SOLD AS COMPLETE ASSY - P/N 033041
(KBGHS36)
OR SHELF ONLY - P/N 020300



DESCRIPTION	SERVICE, OTHER BACKGUARDS - 36"
DRAWING NO	A6

6

5

4

3

2

1

REPLACEMENT PARTS - KRD364GD

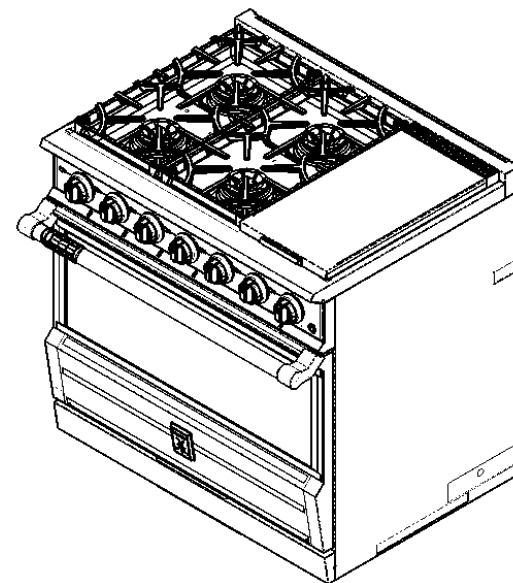
ITEM	DESCRIPTION	
A1	SERVICE, DOOR ASSEMBLY, DF, 36"	SEE SUB-ASSEMBLY FOR PARTS BREAKDOWN
A2	SERVICE, ASSY, CONTROL PANEL INSERT, 36" RANGE	SEE SUB-ASSEMBLY FOR PARTS BREAKDOWN
A3	SERVICE, RANGE TOP ASSY, DF, 364GD	SEE SUB-ASSEMBLY FOR PARTS BREAKDOWN
A4	SERVICE, DUAL FLOW BURNER ASSY.	SEE SUB-ASSEMBLY FOR PARTS BREAKDOWN
A5	SERVICE, OVEN ASSEMBLY, DF, 36"	SEE SUB-ASSEMBLY FOR PARTS BREAKDOWN
A6	SERVICE, OTHER BACKGUARDS - 36"	SEE SUB-ASSEMBLY FOR PARTS BREAKDOWN



HESTAN

All warranty and non-warranty repairs should be performed by qualified service personnel. To locate an authorized service agent, contact your Hestan dealer, local representative, or the manufacturer. Before you call, please have the model number and serial number information ready.
Hestan Commercial Corp.
(888) 905-7463

ITEM	PART NUMBER	DESCRIPTION	QTY.
1	017663	ASSY, PANEL, SIDE, LEFT, 36" RANGE	1
2	017664	ASSY, PANEL, SIDE, RIGHT, 36" RANGE	1
3	010242	SERVICE, SMS, #10-24 X 1/2, PH, PAN, TYPE F, SS, PKG 10	1
4	018259	GRILL, FRONT, RANGETOP	1
5	018023	SWITCH, PLUNGER, N.O., OVEN DOOR	1
6	017612	LED MODULE, KNOB LIGHTING	7
7	011857	SERVICE, MS, 8-32 X .375, PH, PAN, SS, PKG 6	1
8	018180	DRIP PAN, 244 RANGETOP	1
9	018251	GRATE ASSEMBLY, DUAL, RESIDENTIAL INDOOR	2
10	025945	SERVICE, GRATE, FOOTPAD, PKG 4	1
11	028052	COVER, GRIDDLE, ASSY, RESIDENTIAL INDOOR - 12 GAS	1
12	024305	SERVICE, MS, M4 X 5MM, PH, PAN, SS, PKG 6	1
13	027460	GRIDDLE PLATE, RESIDENTIAL INDOOR, WA - 12	1
14	018638-BK	GREASE TRAY, GRIDDLE, RESIDENTIAL INDOOR, TEFLON COATED	1
15	009279	ELBOW, 1/2 NPT	1
16	024755	HOSE, FLEX, 5/8OD X 1/2MIP X 1/2MIP, 8"	1
17	018882	REGULATOR, STRAIGHT-THRU, 1/2"NPT, CONVERTIBLE, DD-RV48 (5"10"w.c.)	1
	021649	REGULATOR, STRAIGHT-THRU, 1/2"NPT, CONVERTIBLE, DD-RV48, 5/10, CONVERTED TO LP	1
18	029706	BRACKET, REGULATOR, RANGES	1
19	015535	TRIM, SIDE, RH, 36" RANGE	1
20	018556	TRIM, SIDE, LH, 36" RANGE	1
21	026511	BRACKET, SUPPORT, KICK PANEL, 30" RANGE	1
22	033728	SERVICE, PANEL, KICK, 36" RANGE	1
23	011852	SERVICE, SMS, #8-32 X 3/8, PH, PAN, TYPE F, SS, PKG 4	1
24	007648	PAN, DRIP, ACCESSORY, GRILL	1
25	019010	INSERT, BROILER PAN, INDOOR RANGE	1
26	024256	SERVICE, SMS, #8 X 1/2, PH, ROUND, BLK-OXIDE, SS, PKG 4	4
27	018170	KNOB ASSEMBLY, MAIN BURNER, RESIDENTIAL INDOOR	4
28	018379	KNOB ASSEMBLY, OVEN FUNCTION, RESIDENTIAL INDOOR	1
29	018380	KNOB ASSEMBLY, OVEN TEMP, RESIDENTIAL INDOOR	1
30	027474	KNOB ASSEMBLY, GRIDDLE TEMP, GAS, RESIDENTIAL INDOOR	1
31	020971	SWITCH, PUSHBUTTON, 19mm, SPST, 5A, 250VAC	1
32	031680	VALVE, DUAL FLOW, RESIDENTIAL INDOOR - NG	1
	031681	VALVE, DUAL FLOW, RESIDENTIAL INDOOR - LP	1
33	024444	SERVICE, GASKET, VALVE, SADDLE MOUNT, PKG 6	1
34	002934	ADAPTER, STRAIGHT, 1/2 NPT X 3/8" CC	1
35	018077	CLAMP, GAS VALVE, RESIDENTIAL INDOOR	4
36	024259	SERVICE, MS, M5 X 0.8 X 18, HEXHD, SS, PKG 5	1
37	019186	MANIFOLD, INDOOR, 364 RANGE	1
38	011715	SERVICE, NUT, KEPS, 1/4-20, ZN, PKG 4	1
39	024260	SERVICE, MS, 10-24 X 1/2, HEX HD W/ LOCK WASHER, ZN, PKG 10	1
40	012687	SERVICE, BALL STUD, MALE, 6-32UNC .052-.078 PNL THK, PKG 4	1
41	012688	SERVICE, NUT, KEPS, 6-32, SS, PKG 4	1
42	034061	SERVICE, ASSY, CONTROL PANEL INSERT, 36" RANGE	1
43	025809-XX	SERVICE, ASSY., DOOR SKIN, 36" RANGE	1



SEE SHEET 1 FOR ITEMS 42 & 43



PROPRIETARY
NO PART OF THIS DOCUMENT MAY BE REPRODUCED, STORED IN A RETRIEVAL SYSTEM, OR TRANSMITTED IN ANY FORM, WITHOUT THE WRITTEN PERMISSION OF Hestan Commercial Corporation. THIS DOCUMENT OR ANY COPIES SHALL BE RETURNED UPON WRITTEN REQUEST.

DESCRIPTION

SERVICE - RANGE, 4 BURNER WITH GRIDDLE, DUAL FUEL, 36"

DRAWING NO

KRD364GD-SERVICE

REVISION

A

SHEET NO.

10 OF 10

6

5

4

3

2

1