



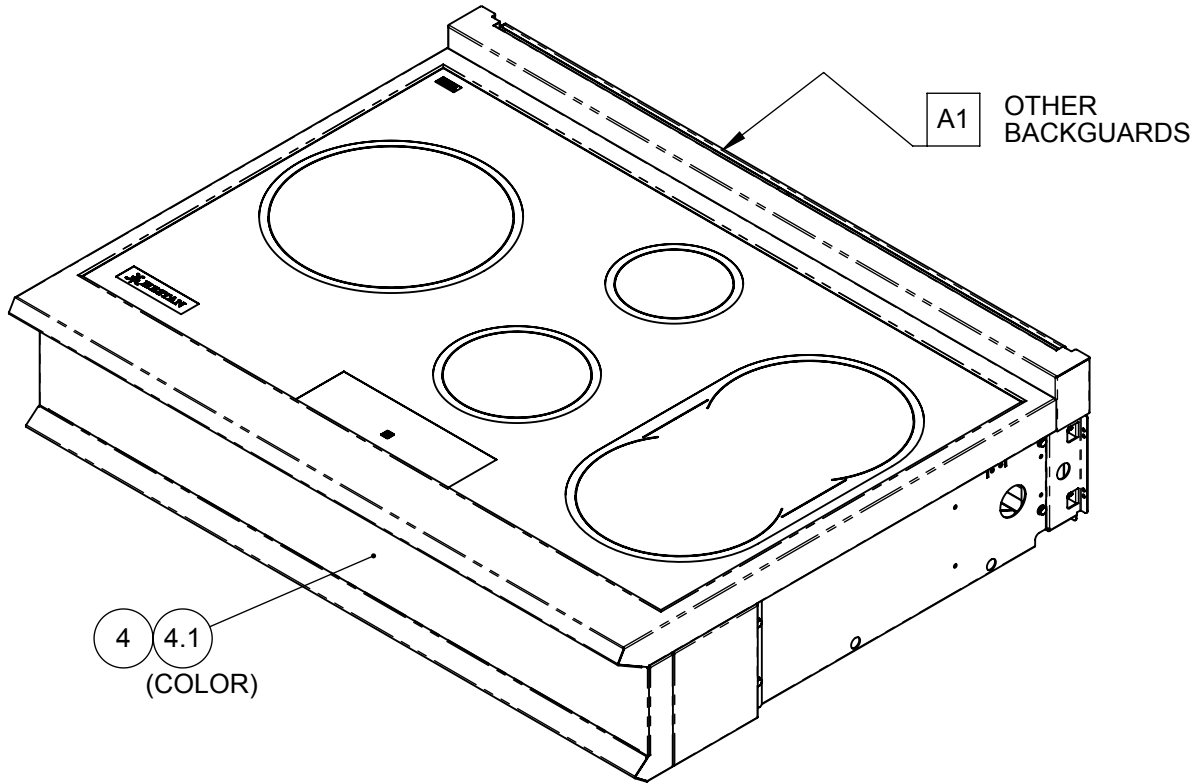
**Induction Rangetop
KRTI36
Parts List**

**Hestan Commercial Corporation
3375 E. La Palma Ave.
Anaheim, CA 92806
(888)905-7463**

RETAIN THIS FOR FUTURE REFERENCE



All warranty and non-warranty repairs should be performed by qualified service personnel. To locate an authorized service agent, contact your Hestan dealer, local representative, or the manufacturer. Before you call, please have the model number and serial number information ready.
 Hestan Commercial Corp.
 (888) 905-7463



Color Extension (-XX)	Description
	Stainless Steel
-BK	Stealth - Black
-WH	Froth - White
-RD	Matador - Red
-YW	Sol - Yellow
-OR	Citra - Orange
-BG	Tin Roof - Burgundy
-PP	Lush - Purple
-BU	Prince - Blue
-GR	Grove - Green
-GG	Pacific Fog - Graphite Gray
-TQ	Bora Bora - Turquoise

SEE SHEET 3 FOR PARTS LIST



PROPRIETARY
 NO PART OF THIS DOCUMENT MAY BE REPRODUCED, STORED IN A RETRIEVAL SYSTEM, OR TRANSMITTED IN ANY FORM, WITHOUT THE WRITTEN PERMISSION OF Hestan Commercial Corporation. THIS DOCUMENT OR ANY COPIES SHALL BE RETURNED UPON WRITTEN REQUEST.

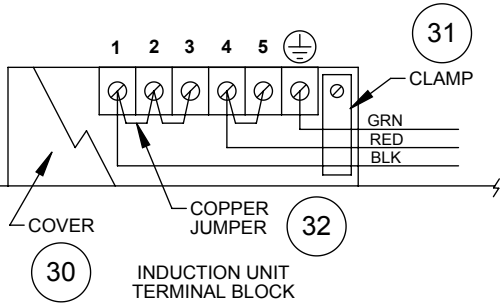
DESCRIPTION
SERVICE - RANGETOP, INDUCTION, 36"

DRAWING NO
KRTI36-SERVICE

REVISION
A
 SHEET NO.
 1 OF 5



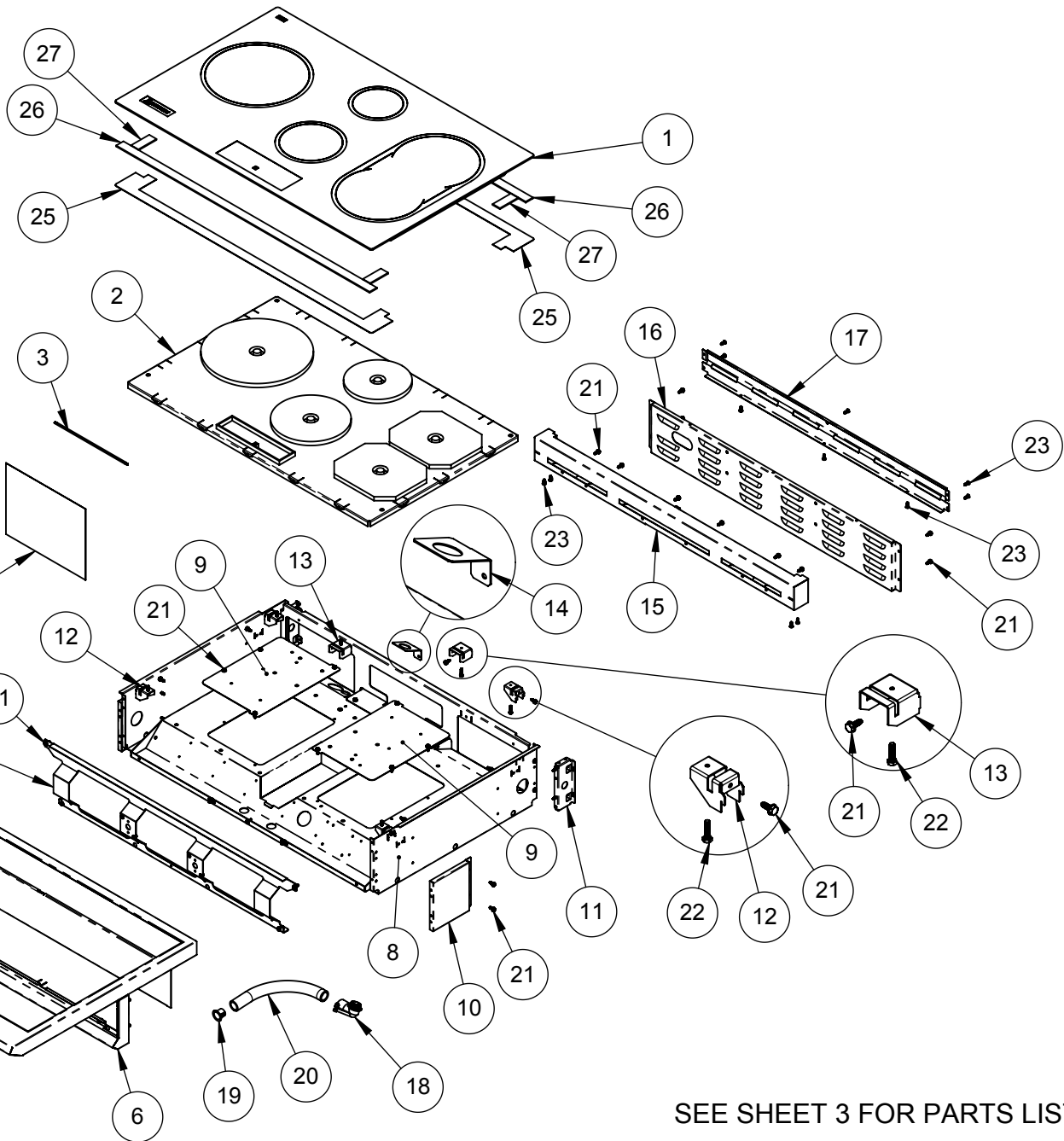
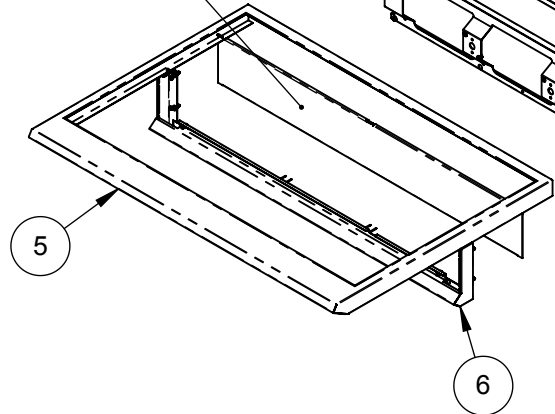
All warranty and non-warranty repairs should be performed by qualified service personnel. To locate an authorized service agent, contact your Hestan dealer, local representative, or the manufacturer. Before you call, please have the model number and serial number information ready.
 Hestan Commercial Corp.
 (888) 905-7463



COLOR

4.1

4



SEE SHEET 3 FOR PARTS LIST



PROPRIETARY
 NO PART OF THIS DOCUMENT MAY BE REPRODUCED,
 STORED IN A RETRIEVAL SYSTEM, OR TRANSMITTED IN
 ANY FORM, WITHOUT THE WRITTEN PERMISSION OF
 Hestan Commercial Corporation. THIS DOCUMENT OR ANY
 COPIES SHALL BE RETURNED UPON WRITTEN REQUEST.

DESCRIPTION

SERVICE - RANGETOP, INDUCTION, 36"

DRAWING NO

KRTI36-SERVICE

REVISION

A

SHEET NO.

2 OF 5



All warranty and non-warranty repairs should be performed by qualified service personnel. To locate an authorized service agent, contact your Hestan dealer, local representative, or the manufacturer. Before you call, please have the model number and serial number information ready.
Hestan Commercial Corp.
(888) 905-7463

ITEM	PART NUMBER	DESCRIPTION	QTY.
1	034236-BK	GLASS ASSEMBLY, INDUCTION RANGE 36 - BLACK	1
2	034080	INDUCTION UNIT, 36	1
3	034743	HARNESS, WIRE, INDUCTION RANGETOP (VW-1/FT1)	1
4	035714	SERVICE, ASSY, CONTROL PANEL INSERT, 36" INDUCTION RANGETOP	1
4.1	035714-XX	SERVICE, ASSY, CONTROL PANEL INSERT, 36" INDUCTION RANGETOP- (COLOR)	1
5	034176	BULLNOSE, INDUCTION, WA - 36	1
6	017784-6	CONTROL PANEL, CHIN, ASSY - 36	1
7	034460	CROSSMEMBER, FRONT, FRAME, INDUCTION RANGETOP - 36	1
8	034170	FRAME, RANGETOP, RESIDENTIAL INDOOR - 36 INDUCTION	1
9	019412	COVER, OVEN ACCESS, RANGETOP	2
10	019608	COVER, SIDE, RANGETOP, RESIDENTIAL INDOOR	2
11	032936	BRACKET, MOUNTING, RISER, REAR ACCESS, RANGETOP	2
12	034469	BRACKET, MOUNTING, SIDE, INDUCTION UNIT	4
13	035358	BRACKET, MOUNTING, BACK EDGE, INDUCTION	2
14	034734	BRACKET, ADAPTER, STRAIN RELIEF, INDUCTION	1
15	033015	RISER, ISLAND, INNER SIDE MOUNT, RESIDENTIAL INDOOR - 36	1
16	019680	REAR COVER, 36" RANGETOP	1
17	019654	COVER, RISER, ISLAND, RESIDENTIAL INDOOR - 36	1
18	034733	ADAPTER, 90 DEG ELBOW, FLEXIBLE CONDUIT - ZINC	1
19	034745	GROMMET, FLEXIBLE CONDUIT, 3/4	1
20	034732	3/4" CONDUIT, FLEXIBLE, AL	1
21	024263	SERVICE, SMS, #10-24 X .50, HEXWSH, TYPE F, SS, PKG 10	1
22	024257	SERVICE, MS, 10-32 X 3/4", HEX, ZINC PLATED, STEEL, PKG 4	1
23	010242	SERVICE, SMS, #10-24 X 1/2, PH, PAN, TYPE F, SS, PKG 10	1
24	034555	WIRING DIAGRAM, 36 INDUCTION RANGETOP	1
25	035374	BRACKET, BONDED, REAR, INDUCTION GLASS - 36	2
26	035529-035	TAPE, 3M VHB, .120 THK X 1" WIDE, 108FT, BLK, 35"	2
27	035529-002	TAPE, 3M VHB, .120 THK X 1" WIDE, 108FT, BLK, 2.5"	4
28	035532-022	GASKET, ADHESIVE BACK, SILICONE, .063 THK X 1/4 WIDE, 15 FT, ORANGE, 22"	2
29	035532-035	GASKET, ADHESIVE BACK, SILICONE, .063 THK X 1/4 WIDE, 15 FT, ORANGE, 35"	2
30	035514	COVER, ELECTRICAL, INDUCTION	1
31	035513	CLAMP TERMINAL, WIRING, INDUCTION UNIT	1
32	035510	JUMPER, COPPER, INDUCTION	3



PROPRIETARY
NO PART OF THIS DOCUMENT MAY BE REPRODUCED, STORED IN A RETRIEVAL SYSTEM, OR TRANSMITTED IN ANY FORM, WITHOUT THE WRITTEN PERMISSION OF Hestan Commercial Corporation. THIS DOCUMENT OR ANY COPIES SHALL BE RETURNED UPON WRITTEN REQUEST.

DESCRIPTION

SERVICE - RANGETOP, INDUCTION, 36"

DRAWING NO

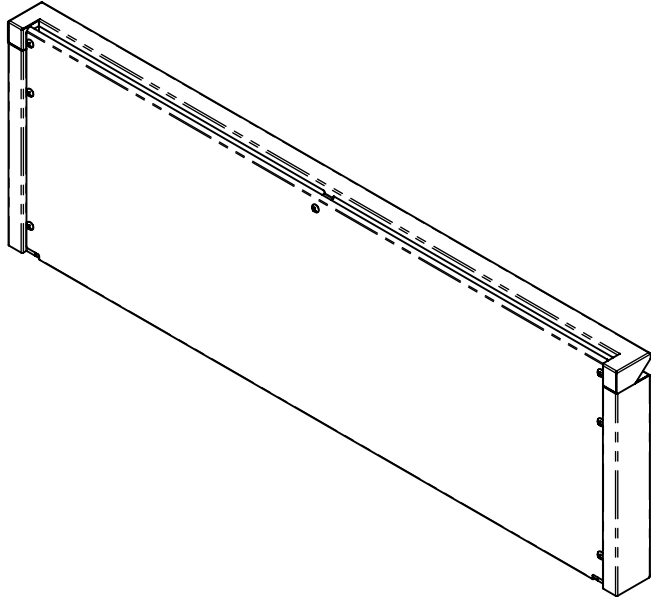
KRTI36-SERVICE

REVISION

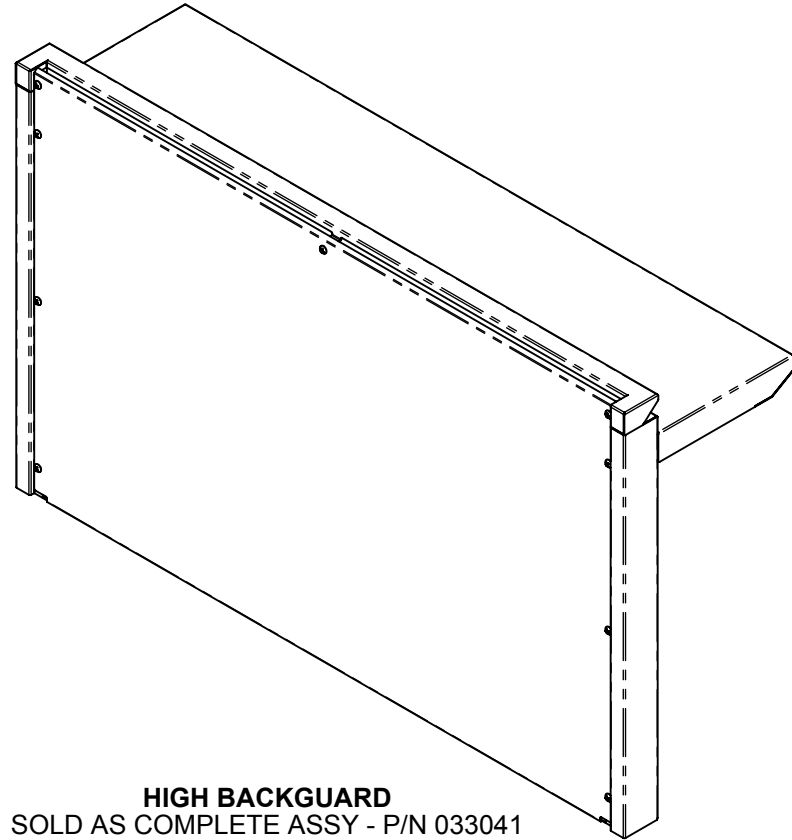
A

SHEET NO.

3 OF 5



LOW BACKGUARD
SOLD AS COMPLETE ASSY - P/N 033028
(KBGLB36)



HIGH BACKGUARD
SOLD AS COMPLETE ASSY - P/N 033041
(KBGHS36)
OR SHELF ONLY - P/N 020300



DESCRIPTION	SERVICE, OTHER BACKGUARDS - 36"
DRAWING NO	A1

6

5

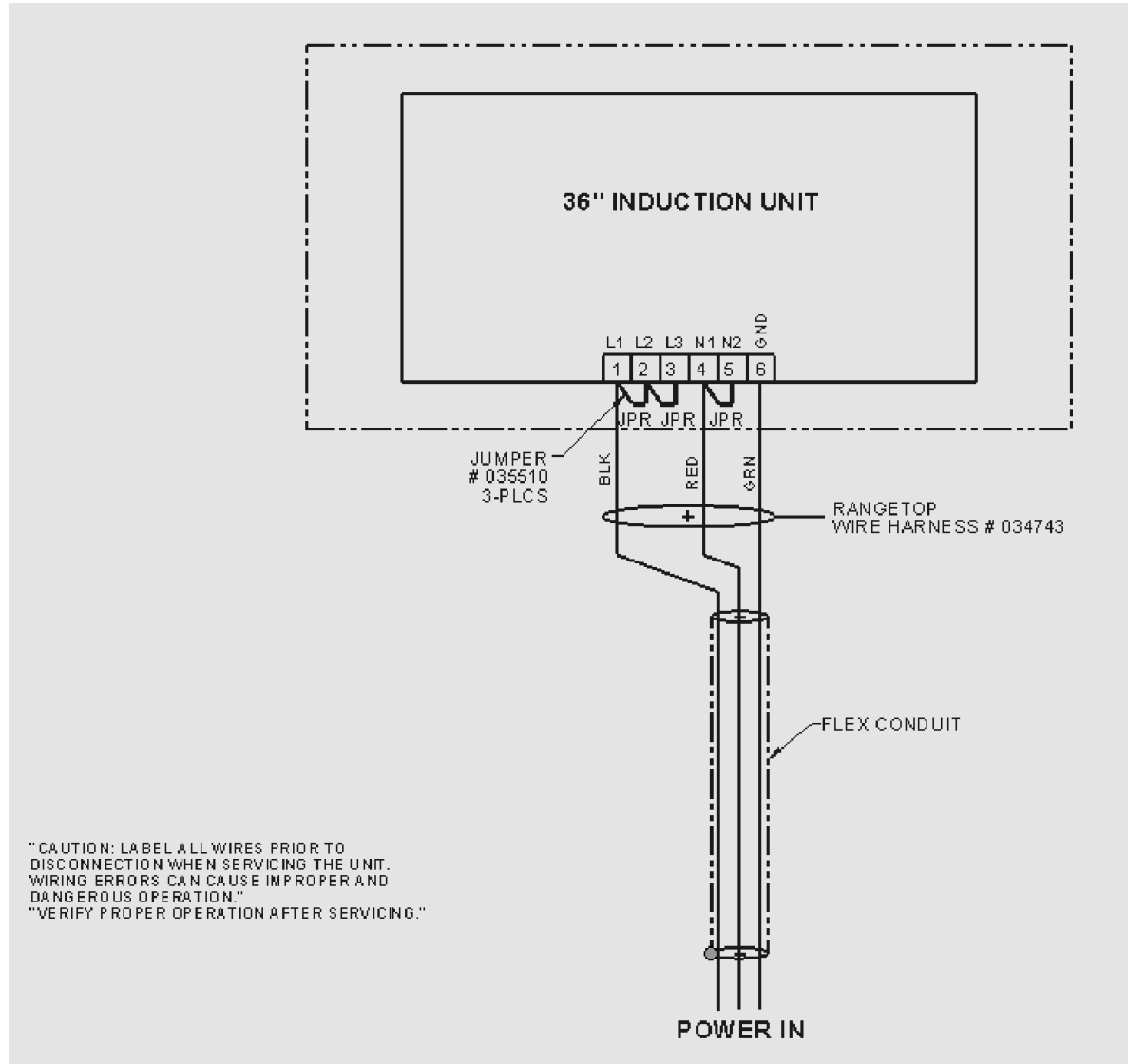
4

3

2

1

WIRING DIAGRAM



6

5

4

3

2

1