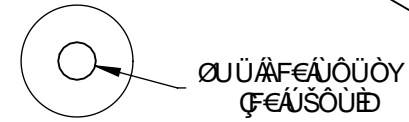
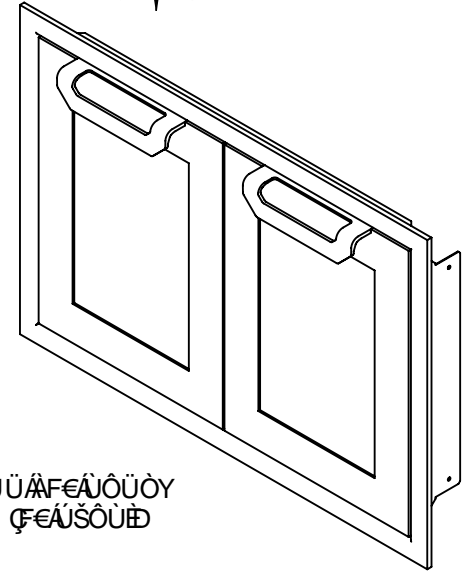
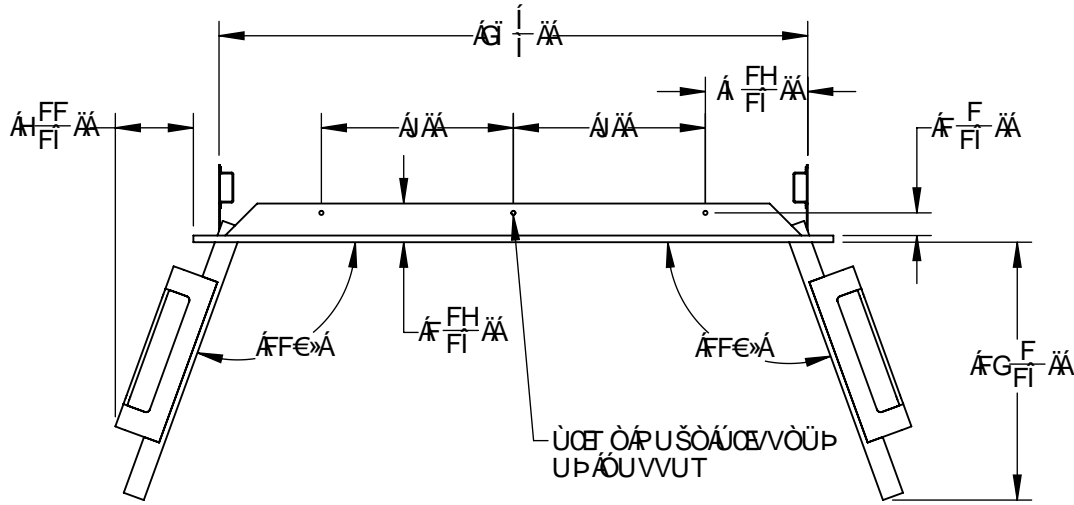
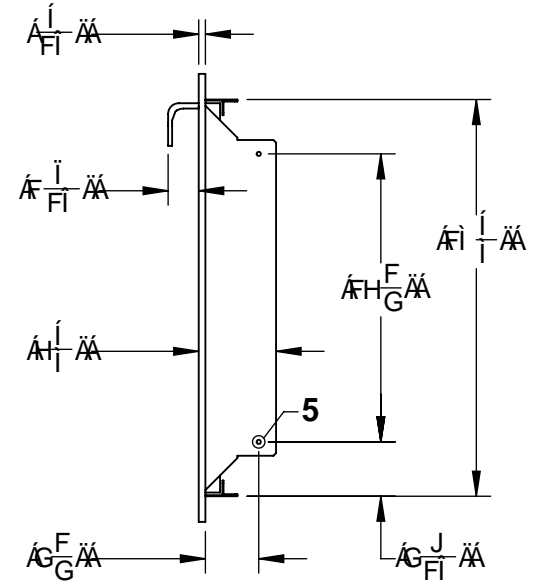
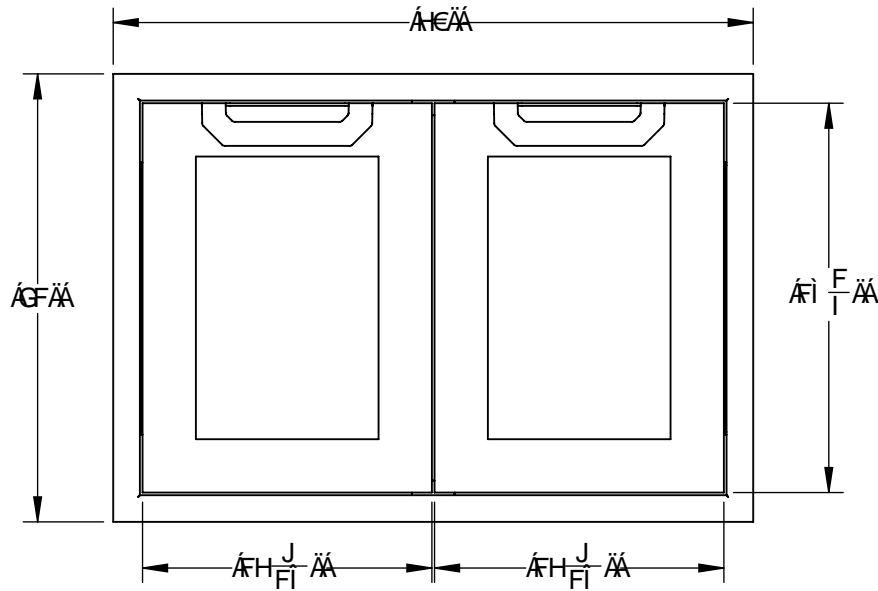


0E0E0HEK0UW0S0A0E0O0U0U0A0U0U0U0E0T 0E0U0W0U0E0A

 HESTAN



89H5 @5  
G75 @ % . %



71 HCl H'8=A9BG-CBG.  
% '<'!'&+'K

Ü^çã^akÉJBFGBFÌ