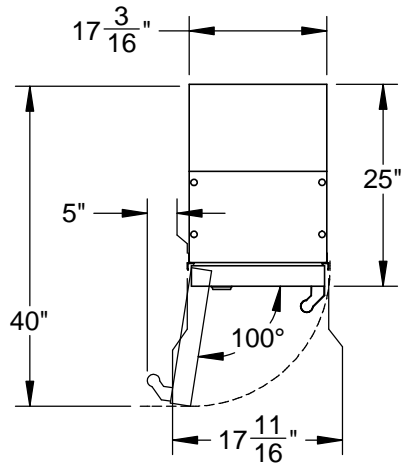
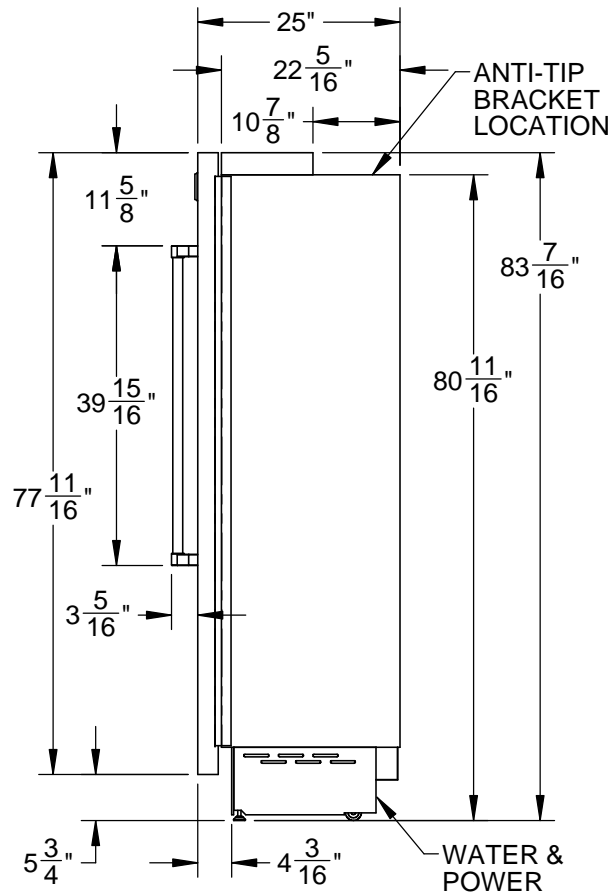
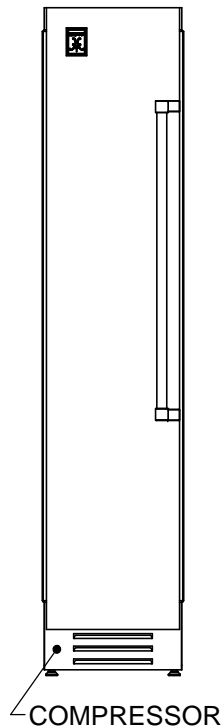
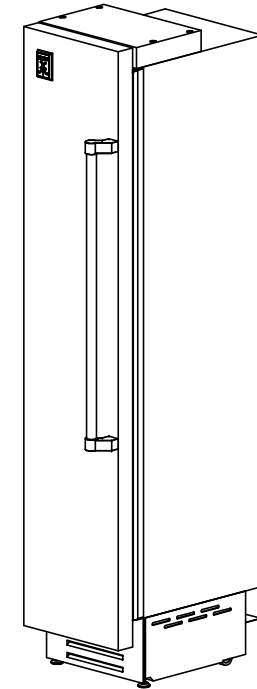


KFCL18: 18" FREEZER COLUMN, LEFT HINGED



NOTE: A 90° DOOR OPENING IS SUFFICIENT TO ALLOW FULL EXTRACTION OF THE INNER DRAWERS, EVEN IF THE APPLIANCE IS DIRECTLY ADJACENT TO A WALL. HOWEVER IF 100° OPENING IS DESIRED, THEN POSITION APPLIANCE AT 5.0" DISTANCE SHOWN.



**CUTOUT REQUIREMENTS:**  
17.81W X 84H X 25D

**SPECIFICATIONS:**

FRIDGE CAPACITY: n/a  
 FREEZER CAPACITY: 8.50 FT<sup>3</sup>  
 BOTTLE CAPACITY: n/a  
 VOLTAGE: 115V - 60Hz  
 CURRENT: 2.4A  
 ENERGY USE: 475 kWh/yr  
 REFRIGERANT: R134a  
 FRIDGE GAS FILL: n/a  
 FREEZER GAS FILL: 5 oz  
 WEIGHT: 279 LBS.