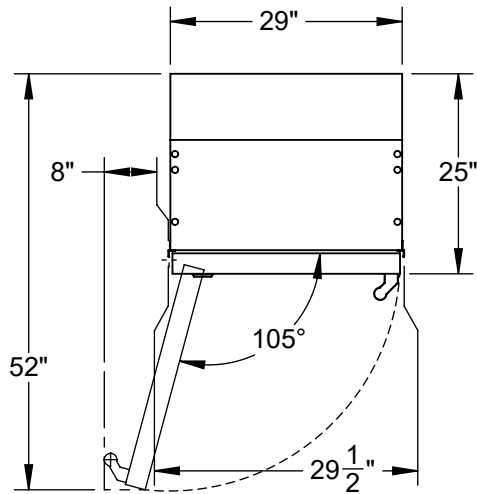
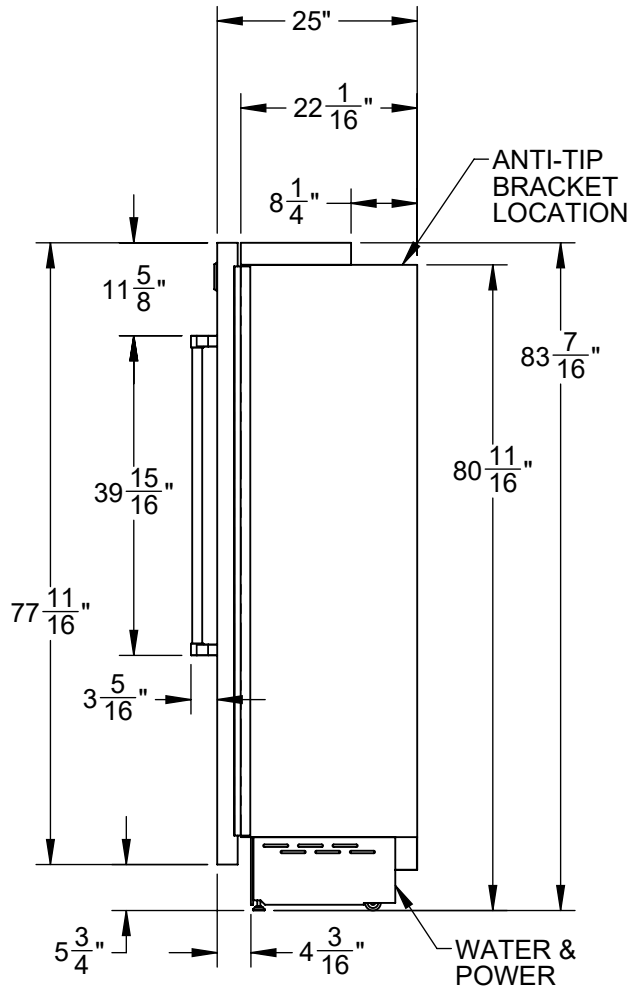
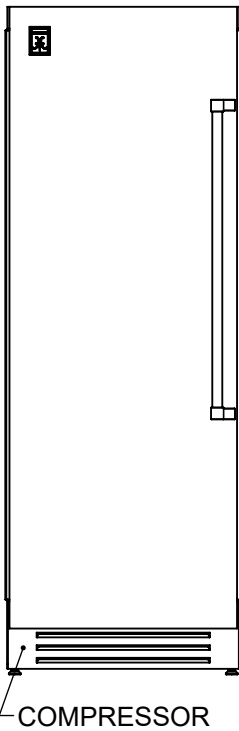
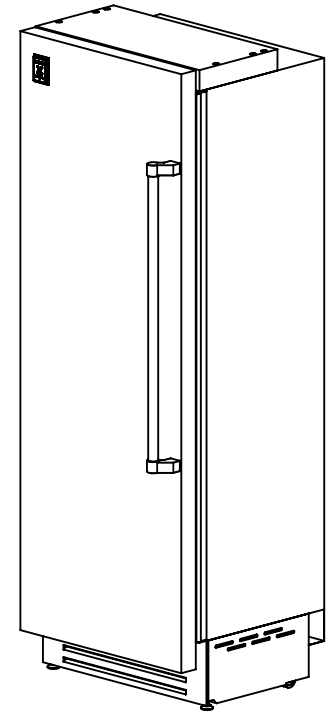


# KFCL30: 30" FREEZER COLUMN, LEFT HINGED



NOTE: A 90° DOOR OPENING IS SUFFICIENT TO ALLOW FULL EXTRACTION OF THE INNER DRAWERS, EVEN IF THE APPLIANCE IS DIRECTLY ADJACENT TO A WALL. HOWEVER IF 105° OPENING IS DESIRED, THEN POSITION APPLIANCE AT 8" DISTANCE SHOWN.



**CUTOUT REQUIREMENTS:  
29-5/8W X 84H X 25D**

**SPECIFICATIONS:**

FRIDGE CAPACITY: n/a  
 FREEZER CAPACITY: 16.87 FT<sup>3</sup>  
 BOTTLE CAPACITY: n/a  
 VOLTAGE: 115V - 60Hz  
 CURRENT: 3.0A  
 ENERGY USE: 598 kWh/yr  
 REFRIGERANT: R134a  
 FRIDGE GAS FILL: n/a  
 FREEZER GAS FILL: 6.3 oz  
 WEIGHT: 419 LBS.