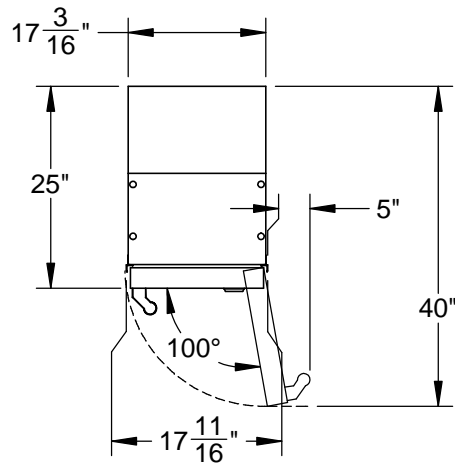
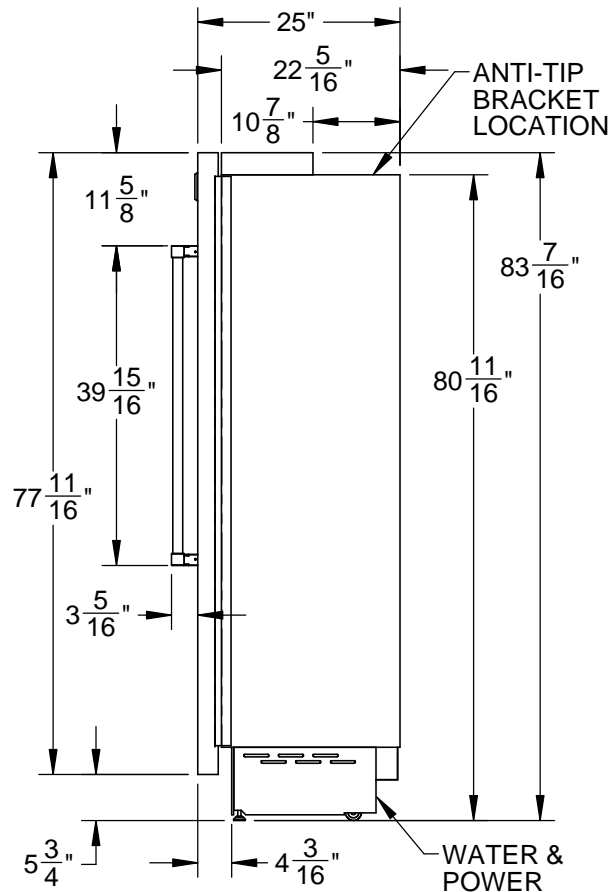
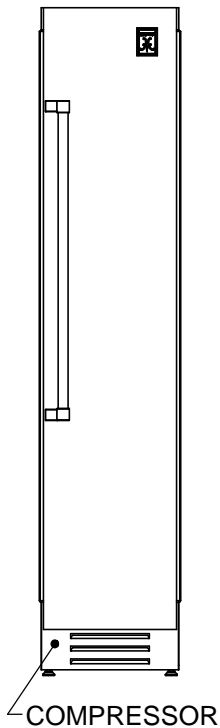
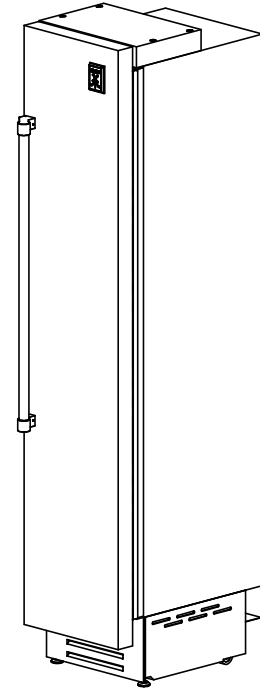


KFCR18: 18" FREEZER COLUMN, RIGHT HINGED



NOTE: A 90° DOOR OPENING IS SUFFICIENT TO ALLOW FULL EXTRACTION OF THE INNER DRAWERS, EVEN IF THE APPLIANCE IS DIRECTLY ADJACENT TO A WALL. HOWEVER IF 100° OPENING IS DESIRED, THEN POSITION APPLIANCE AT 5.0" DISTANCE SHOWN.



**CUTOUT REQUIREMENTS:
17.81W X 84H X 25D**

SPECIFICATIONS:

FRIDGE CAPACITY: n/a
 FREEZER CAPACITY: 8.50 FT³
 BOTTLE CAPACITY: n/a
 VOLTAGE: 115V - 60Hz
 CURRENT: 2.4A
 ENERGY USE: 475 kWh/yr
 REFRIGERANT: R134a
 FRIDGE GAS FILL: n/a
 FREEZER GAS FILL: 5 oz
 WEIGHT: 279 LBS.