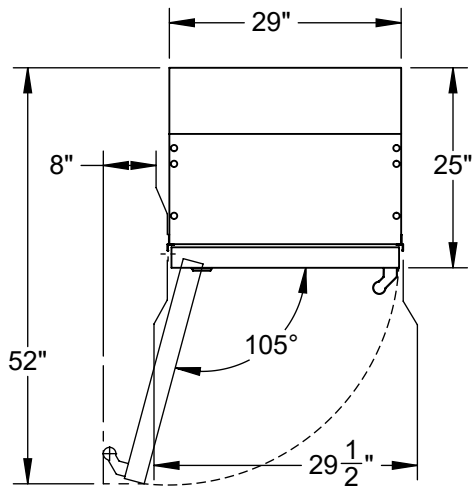
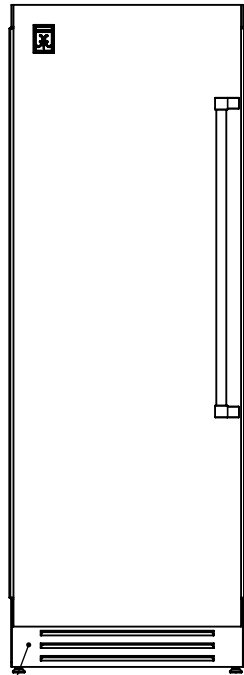
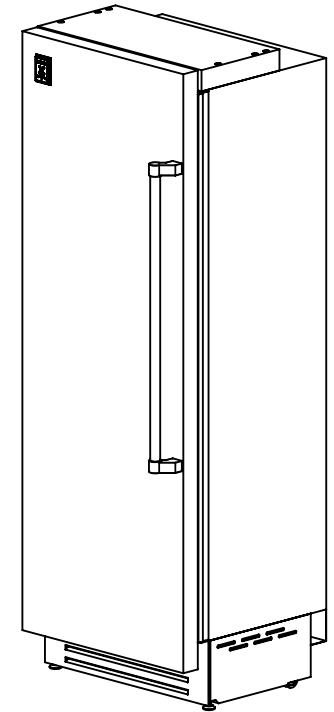


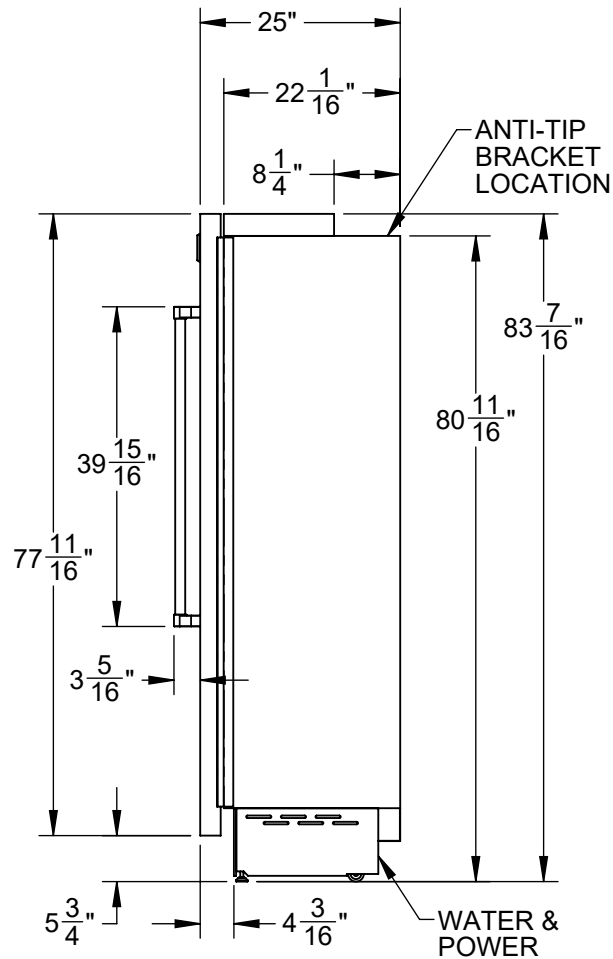
KRCL30: 30" REFRIGERATOR COLUMN, LEFT HINGED



NOTE: A 90° DOOR OPENING IS SUFFICIENT TO ALLOW FULL EXTRACTION OF THE INNER DRAWERS, EVEN IF THE APPLIANCE IS DIRECTLY ADJACENT TO A WALL. HOWEVER IF 105° OPENING IS DESIRED, THEN POSITION APPLIANCE AT 8" DISTANCE SHOWN.



COMPRESSOR



**CUTOUT REQUIREMENTS:
29-5/8W X 84H X 25D**

SPECIFICATIONS:

FRIDGE CAPACITY: 17.45 FT³
 FREEZER CAPACITY: n/a
 BOTTLE CAPACITY: n/a
 VOLTAGE: 115V - 60Hz
 CURRENT: 2.0A
 ENERGY USE: 343 kWh/yr
 REFRIGERANT: R134a
 FRIDGE GAS FILL: 5.6 oz
 FREEZER GAS FILL: n/a
 WEIGHT: 441 LBS.