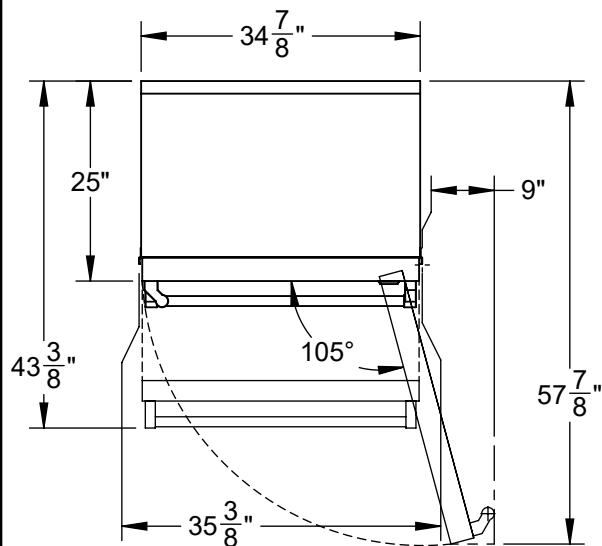
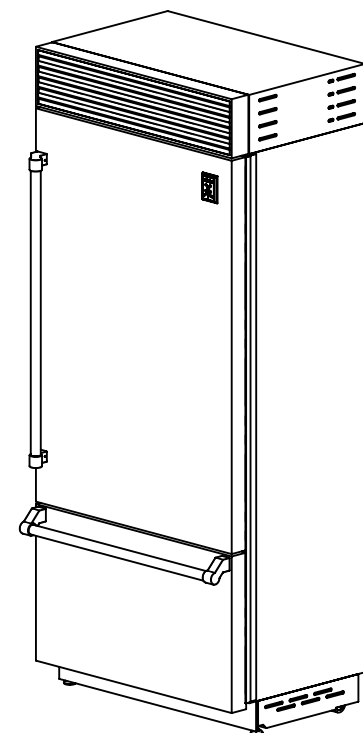
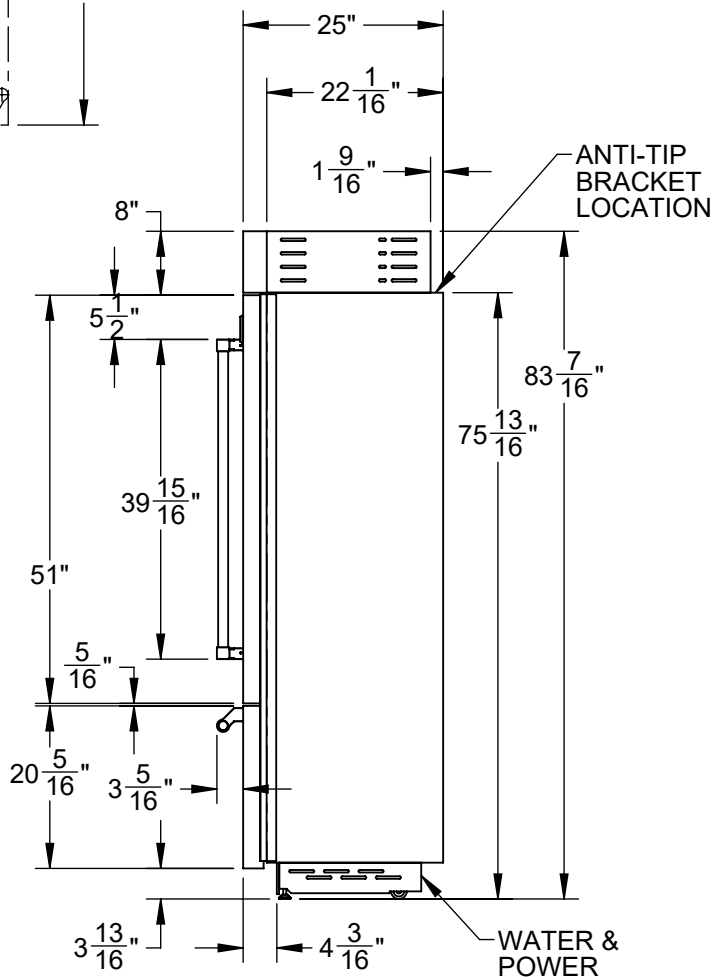
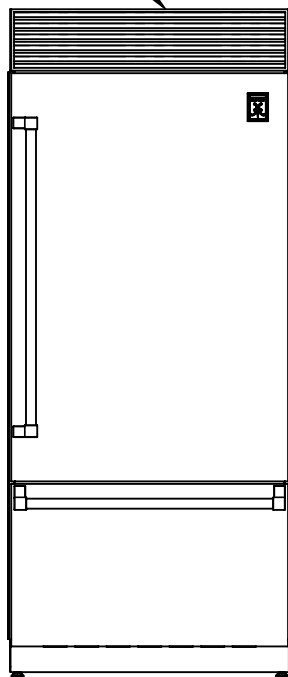


KRPR36: 36" REFRIGERATOR, BOTTOM MOUNT, TOP COMPRESSOR, PRO, RIGHT HINGED



NOTE: A 90° DOOR OPENING IS SUFFICIENT TO ALLOW FULL EXTRACTION OF THE INNER DRAWERS, EVEN IF THE APPLIANCE IS DIRECTLY ADJACENT TO A WALL. HOWEVER IF 105° OPENING IS DESIRED, THEN POSITION APPLIANCE AT 9" DISTANCE SHOWN.

COMPRESSOR



CUTOUT REQUIREMENTS:
35-1/2"W X 84"H X 25"D

SPECIFICATIONS:

FRIDGE CAPACITY: 14.7 FT³
 FREEZER CAPACITY: 3.8 FT³
 BOTTLE CAPACITY: n/a
 VOLTAGE: 115V - 60Hz
 CURRENT: 4.8A
 ENERGY USE: 571 kWh/yr
 REFRIGERANT: R134a
 FRIDGE GAS FILL: 4.5 oz
 FREEZER GAS FILL: 4.2 oz
 WEIGHT: 540 LBS.

Last Revised: 9/04/19