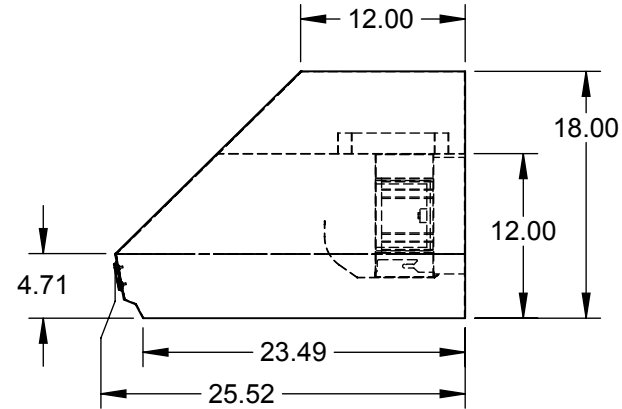
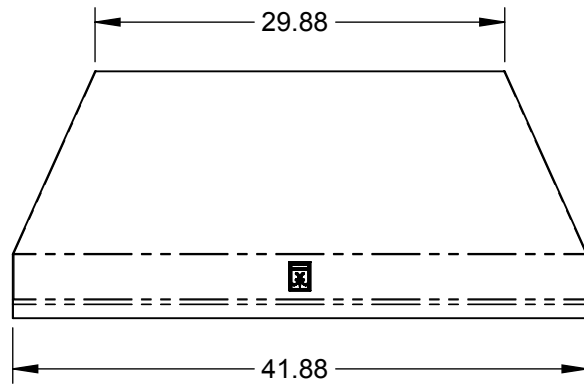
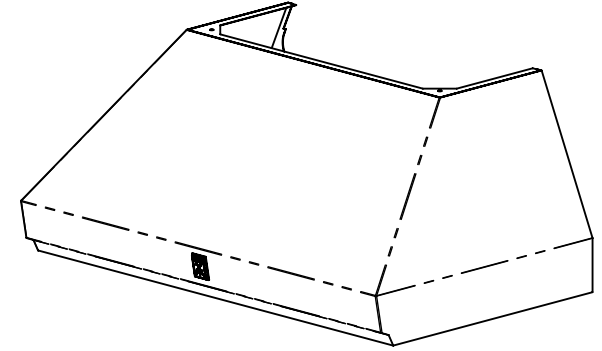
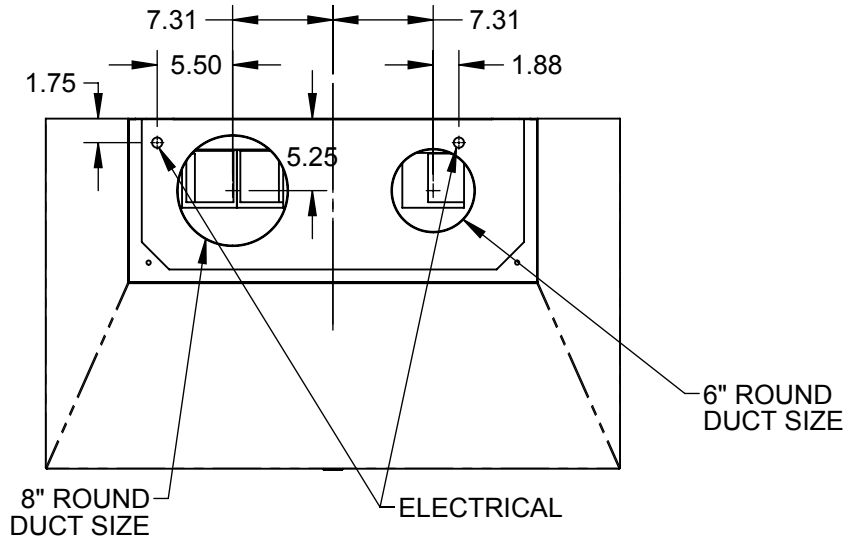


# KVC42: 42" VENTILATION HOOD, CHIMNEY, 900 CFM



## SPECIFICATIONS:

WEIGHT: 65 LBS.  
 VOLTAGE: 120V - 60Hz  
 CURRENT: 6.0A  
 CFM (EQUIV. CFM): 900 (1350)  
 NOISE: 6.3 Sones  
 # OF LIGHTS: 3