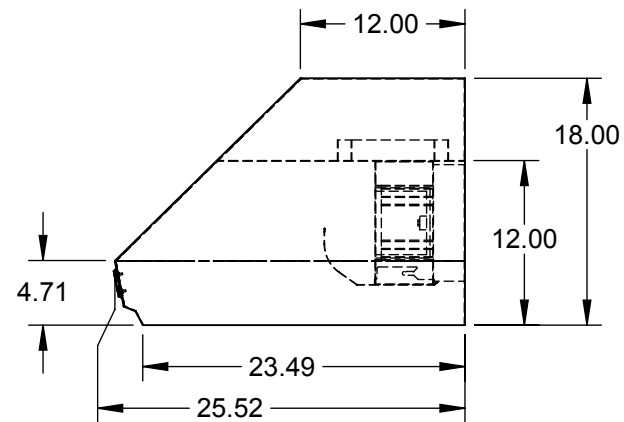
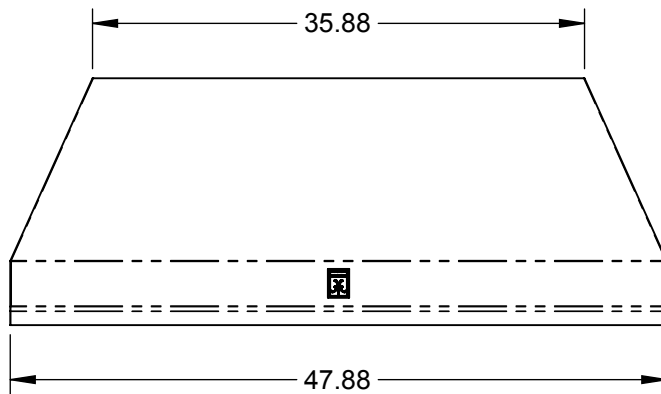
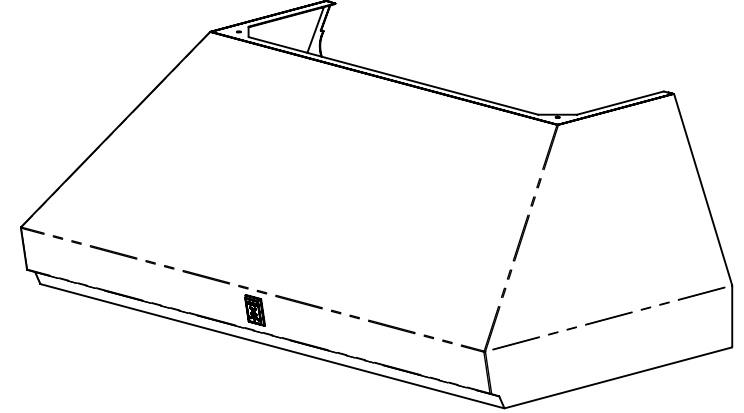
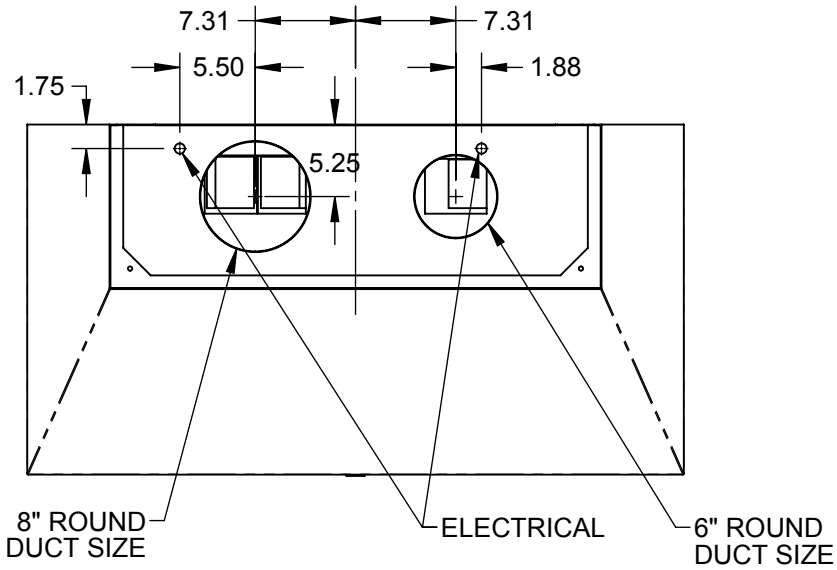


KVC48: 48" VENTILATION HOOD, CHIMNEY, 900 CFM



SPECIFICATIONS:

WEIGHT: 70 LBS.
 VOLTAGE: 120V - 60Hz
 CURRENT: 6.0A
 CFM (EQUIV. CFM): 900 (1350)
 NOISE: 6.3 Sones
 # OF LIGHTS: 3