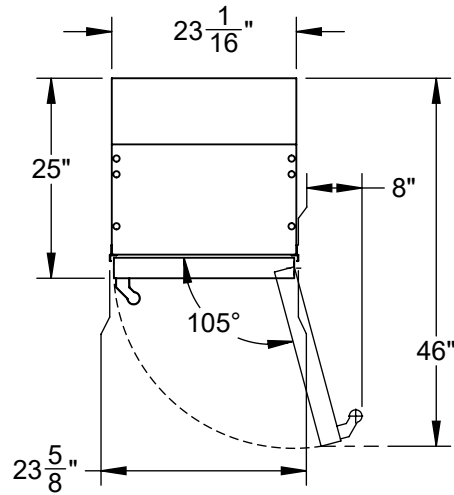
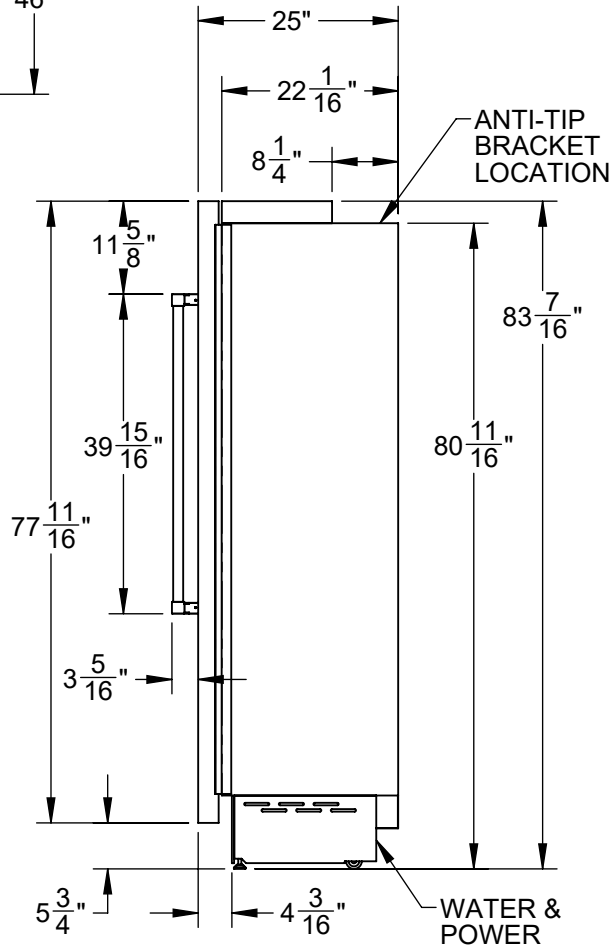
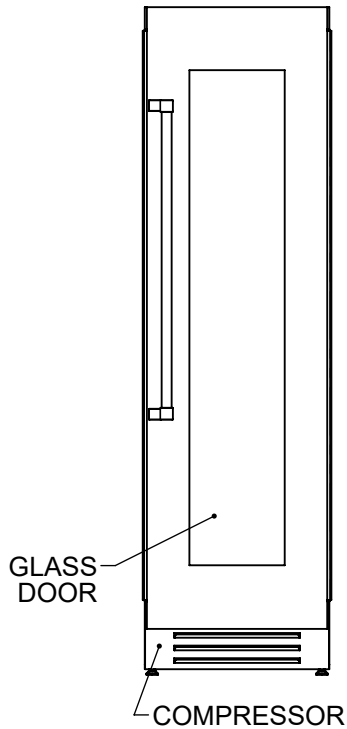
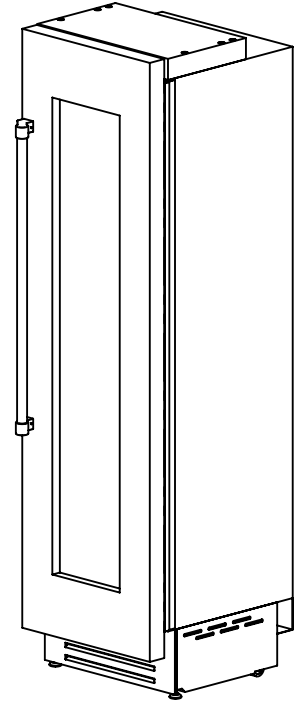


# KWCR24: 24" WINE COLUMN, RIGHT HINGED



NOTE: A 90° DOOR OPENING IS SUFFICIENT TO ALLOW FULL EXTRACTION OF THE INNER DRAWERS, EVEN IF THE APPLIANCE IS DIRECTLY ADJACENT TO A WALL. HOWEVER IF 105° OPENING IS DESIRED, THEN POSITION APPLIANCE AT 8" DISTANCE SHOWN.



**CUTOUT REQUIREMENTS:**  
23-3/4"W X 84H X 25D

**SPECIFICATIONS:**

FRIDGE CAPACITY: 13 FT<sup>3</sup>  
 FREEZER CAPACITY: n/a  
 BOTTLE CAPACITY: 72  
 VOLTAGE: 115V - 60Hz  
 CURRENT: 1.4A  
 ENERGY USE: 296 kWh/yr  
 REFRIGERANT: R134a  
 FRIDGE GAS FILL: 6.0 oz  
 FREEZER GAS FILL: n/a  
 WEIGHT: 452 LBS.